

# Installation, Operation and Maintenance Manual

## OneFlow<sup>®</sup> Anti-Scale System

### Model OFTWH-C OneFlow<sup>®</sup> Anti-Scale System Chemical-Free, Salt-Free Scale Prevention

#### ⚠ WARNING



**Read this Manual BEFORE using this equipment.**  
**Failure to read and follow all safety and use information can result in death, serious personal injury, property damage, or damage to the equipment.**  
**Keep this Manual for future reference.**

## Introduction

The OneFlow<sup>®</sup> Anti-Scale System provides protection from scale formation on internal plumbing surfaces. The OneFlow<sup>®</sup> system is a single cartridge-based system that must be installed on a cold water line prior to a single residential water heating device (water heater or tankless water heater).

The OneFlow<sup>®</sup> system is built with the finest and most advanced materials and each system is quality inspected and pressure tested prior to shipment. With proper installation and routine maintenance, you will have years of trouble-free operation.

Please refer to this manual when performing routine filter changes. The instructions make periodic maintenance quick and easy and ensure you will receive maximum benefit from your system.

## System Specifications

**Inlet/Outlet Connections:** ¾" FNPT (19.05 mm)

**Nominal Flow Rate up to 5 gpm (18.92 lpm)**

**Maximum Pressure:** 90psi/6.2 bar

**Maximum Temperature:** 100°F / 38°C

**Minimum Temperature:** 40°F / 5°C

**Capacity:** OFTWH-C-RM cartridge does not have a grain removal capacity, however, other contaminants present in the water will gradually degrade the effectiveness of this cartridge. Change the OFTWH-C-RM cartridge at least once every two years.

#### ⚠ WARNING

- Connect system to cold water supply only. Water temperature cannot exceed 100°F / 38°C.
- System must be installed in a vertical, upright and level position.
- Do not apply any other antiscalants before or after OneFlow.
- Do not use with water that is microbiologically unsafe or of unknown quality without adequate disinfection before or after the system.



# WATTS<sup>®</sup>

## NOTICE

- Do not discard this manual after installation. This manual contains important operation, maintenance and precautionary information. Please present this manual to user/operator/owner after installation.
- It is strongly encouraged that you read this manual before installing the system to ensure the best possible installation.
- Installation must conform to all local and state plumbing codes and regulations.
- Notice to user/operator/owner: Please retain this manual for future reference for parts, maintenance or troubleshooting.
- It is recommended that all personnel responsible for operation and maintenance of this product read the precautions, operation and maintenance sections of this manual.

## Feed Water Chemistry Requirements

pH	6.5-8.5
Hardness (maximum)	30 grains (513 ppm CaCO <sub>3</sub> ) *
Water Pressure	15 psi to 90 psi (1.03 bar to 6.2 bar)
Temperature	40° F to 100° F (5°C to 38°C)
Free Chlorine	<2 ppm
Iron (maximum)	0.3 ppm **
Manganese (maximum)	0.05 ppm **
Copper	1.3 ppm***
Oil & H <sub>2</sub> S	Must be Removed Prior to OneFlow
Total Phosphates	< 3.0 ppm
Silica (maximum)	20 ppm †
TDS	1500 mg/l ††

## NOTICE

\* Systems using OneFlow® technology are effective at controlling lime-scale formation inside the plumbing system at influent hardness levels up to 30 grains per gallon (513 ppm CaCO<sub>3</sub>) of calcium carbonate. Due to variances in water chemistry, 30 grains per gallon is a recommended hardness maximum due to potential aesthetic issues related to soft scale residue formation outside of the plumbing system. Testing should be performed to determine proper application where hardness levels exceed 30 grains per gallon.

\*\*Just as with conventional water softening media, OneFlow® media needs to be protected from excess levels of certain metals that can easily coat the active surface, reducing its effectiveness over time. Public water supplies rarely, if ever, present a problem, but if the water supply is from a private well, confirm that the levels of iron (Fe) and manganese (Mn) are less than 0.3 mg/L and 0.05 mg/L, respectively.

## ⚠ WARNING

\*\*\*Pursuant to the EPA drinking water standards, the copper concentration permitted is up to 1.3 ppm. Typically originating from new copper plumbing, high levels of copper can foul OneFlow media. New Copper lines need to be passivated for a minimum of 4 weeks before placing unit into service. For applications with copper concentration greater than 1.3 ppm, please consult Watts Water Quality Technical Service. To further minimize any problem with excess copper, avoid applying excessive flux on the inner surfaces of the pipe and use a low-corrosivity water soluble flux listed under the ASTM B813 standard.

## NOTICE

† OneFlow® media does not reduce silica scaling. While silica tends to have a less significant effect on scale formation than other minerals, it can act as a binder that makes water spots and scale residue outside the plumbing system difficult to remove. This 20 ppm limitation is for aesthetic purposes.

†† All other contaminants must meet the requirements of the USEPA Safe Drinking Water Act. Specific Mineral and Metal MCL's, identified in Watts published Feed Water Chemistry Requirements, supersedes the USEPA SDWA.

Water known to have heavy loads of dirt and debris may require pre-filtration prior to OneFlow®.

## ⚠ WARNING

### Installation Precautions

- Do NOT install system on line pressure above 90psi.
- Do NOT install system on HOT water line. Failure to limit line temperature to 100°F may result in housing failure and damage.
- Do NOT install the system backwards with the feed water line connected to the outlet.
- Do NOT use liquid pipe compounds for fitting connections. USE two to three wraps of Teflon® tape.
- Do NOT solder plumbing connections attached to filter housing or inlet valve. Inlet valve and filter housing will be damaged by high temperature.
- Do NOT allow system to freeze. Turn off water supply to housing and drain housing if temperature falls below 40°F.
- Do NOT install system in direct sunlight or where system is exposed to harsh chemicals or may be subjected to being struck by moving equipment, carts, mops or any other item that may cause damage.
- ALLOW a minimum of 3" under the housing to allow for filter replacement.
- IF water hammer is evident, install water hammer arrestors before the OneFlow® unit.
- Do NOT overtighten fitting connections into inlet valve or housing outlet.
- Always back-up valves and fittings with a wrench when installing a fitting to avoid turning the valve.
- Do NOT install the unit behind equipment where it may be difficult to access the system for filter replacement.
- Position the OneFlow® unit in a suitable location.
- The direction of flow through the OneFlow® unit is always through the inlet first; keep this in mind when determining installation location.
- Do NOT mount the OneFlow® system near any source of heat.
- DO NOT mount the system above any device or area that would be adversely effected by water.

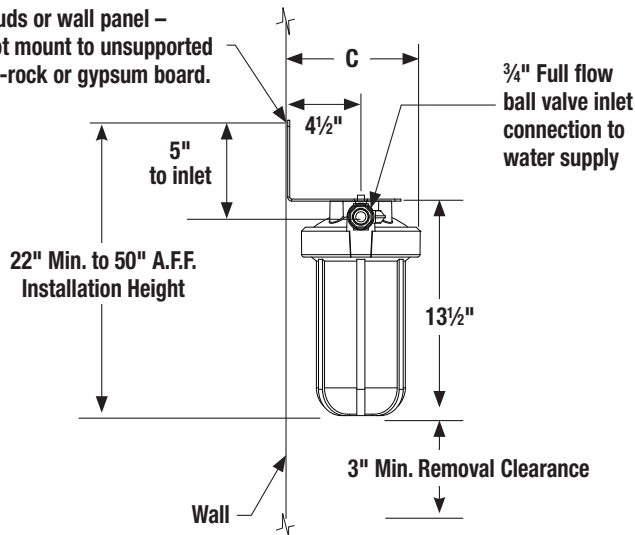
Teflon® is a registered trademark of E.I. DuPont de Nemours & Company.

# Installation

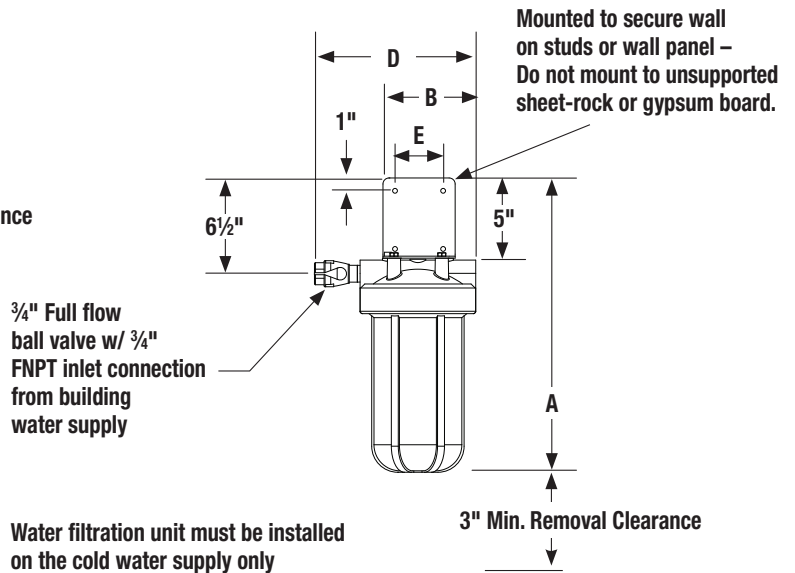
1. Turn off all equipment to be fed by the OneFlow® System, locate water supply shutoff valve and turn OFF.
2. Determine if the water line has an existing water treatment system. If so, examine system for use of polyphosphate or other scale inhibitors. OneFlow® will not be effective if used in conjunction with other scale inhibitors. Remove the scale inhibitors from the water line or discontinue installation.
3. Install a 3/4" full-flow ball valve on the water supply side that will feed the water system.
4. Anchor the OneFlow® system on a wall stud or suitable mounting material spanning wall studs. System must be vertical and upright.
5. Run a suitable line from the 3/4" full-flow ball valve at the tap water source to the inlet ball valve on the left side of the OneFlow® system. Use 2-3 wraps of Teflon® tape and brace the inlet ball valve on the system with a wrench when connecting the feed water line. **NOTE: DO NOT OVERTIGHTEN CONNECTION FITTING INTO BALL VALVE.**
6. Select the appropriate size tubing for the equipment being fed and connect it to the outlet of the OneFlow® System. **NOTE: DO NOT connect the tubing to the equipment at this time.** Prior to making connection to the equipment, this line will be used to facilitate flushing the system. As an option, a drain valve in a tee on the outlet side of the OneFlow® system could be provided in the line to facilitate flushing when changing filters.
7. With OneFlow® inlet valve closed, slowly open the 3/4" full-flow ball valve at the tap water source. Check for leaks.
8. If a drain valve was not installed on the outlet side of the system, hold the tubing that will connect to equipment in a clean bucket or over sink or drain. Open the system inlet feed valve and allow water to flush through system for 2 minutes at the specified system flow rate to allow air bubbles to escape. **NOTE: NO ACTIVATION IS REQUIRED FOR THE OneFlow® SYSTEM TO PERFORM PROPERLY. FLUSHING IS RECOMMENDED TO ALLOW AIR TO ESCAPE THE SYSTEM.**
9. Make certain that the end of the tubing to be connected to the equipment is clean and sanitary.
10. Connect tubing to equipment. Open all water supply valves and check for leaks.
11. If no leaks, turn on equipment and check for normal operation.
12. Attach the Service Log to the installed OneFlow® System and fill in install date.

## Installation Drawings & Dimensions

Mounted to secure wall on studs or wall panel – Do not mount to unsupported sheet-rock or gypsum board.



Mounted to secure wall on studs or wall panel – Do not mount to unsupported sheet-rock or gypsum board.



Water filtration unit must be installed on the cold water supply only

## Dimensions — Weights

Model	Dimensions										Weight	
	A		B		C		D		E		lbs.	kgs
	in.	mm	in.	mm	in.	mm	in.	mm	in.	mm		
OFTWH-C	18½	470	4½	114	8⅝	219	10	254	3	76	12	5.5

The overall height and the height of the inlet fitting varies due to material variations and assembly tolerances. Please allow additional clearance above the filter for making connections.

# Operation

With sufficient pressure, operation of the Watts OneFlow® System is completely automatic. Dependable operation involves only periodic filter changes and service documentation.

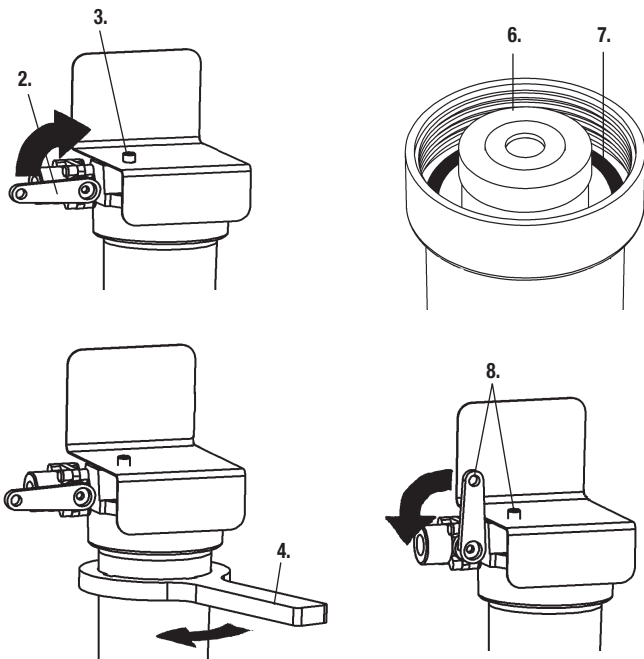
## Maintenance

Routine maintenance of your OneFlow® System involves periodic filter cartridge changes and/or replacement of sump O-rings. If the system sizing recommendations have been followed, the OneFlow® Cartridge should last two years.

### Filter Change Frequency

The filters should be changed in response to the following conditions.

**OFTWH-C-RM** • 24 months since installation or last filter change.



## Replacement Filter Cartridges

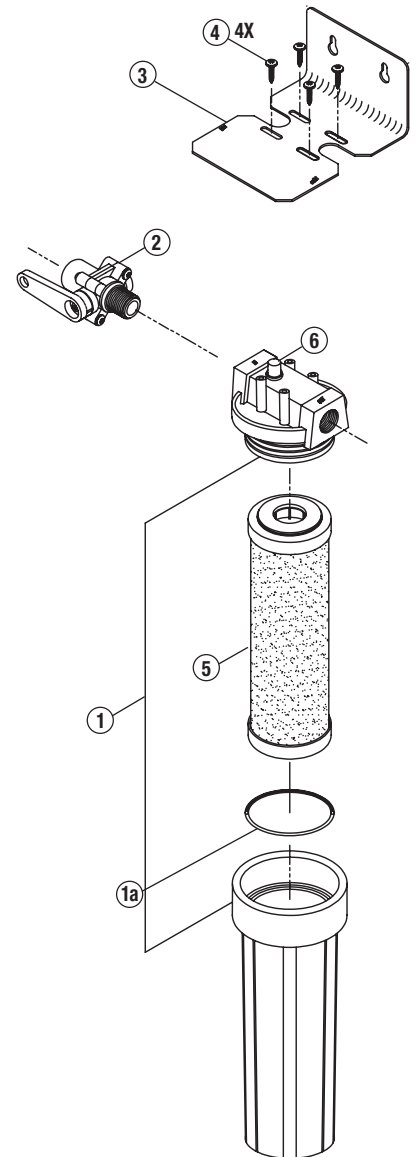
OneFlow® systems can only be used with OneFlow® filter cartridges. Use of replacement cartridges other than those specified will void warranties, certifications and may compromise equipment protection, water quality and equipment life.

### Filter Cartridge Replacement Procedure

1. **IMPORTANT:** All other equipment connected to the OneFlow® system must be turned off prior to shutting off water supply from filters.
2. Turn OFF water to OneFlow® system by closing Inlet Ball Valve.
3. Press the red button to release pressure.
4. Remove housing – use filter wrench if necessary.
5. Remove filter from housing. Clean inside of housing with warm water. If desired, disinfect housing by adding a teaspoon of household bleach to housing, fill with water, let stand for 5 minutes, and then discard.
6. Insert new cartridge into filter housing. Match cartridge model number to model number on bracket.
7. Check O-ring for damage and replace if damaged or distorted. Make certain the O-ring is properly positioned and reinstall filter housing (hand tighten only).
8. Slightly open the inlet ball valve; push the red pressure relief button to release trapped air until a small amount of water comes out – release the red button and fully open the ball valve.
9. Open the flush valve downline from the filter housing (if equipped) and flush the new cartridge to drain or bucket for two (2) minutes or until water runs clear. If no flush valve is present, disconnect line from equipment to flush to drain.
10. **VERY IMPORTANT:** With water supply inlet valve OPEN and water flow confirmed, turn on connected equipment. Failure to supply water to equipment may cause serious damage.
11. Record filter change on the service log.

## Replacement Parts for: OneFlow® OFTWH-C

Drawing ID #	EDP Ordering Code	Description
1	7100286	10" Full Flow Housing, 3/4" ports w/PR
1a	7300398	Full Flow O-ring
2	7300920	Ball Valve PVC, 3/4" F x M
3	7100466	Full Flow Mounting Bracket
4	7300395	Mounting Screws
5	0002192	OFTWH-C-RM Replacement Cartridge
6	N/R	Pressure Relief Button (part of housing)
7	7100299	Full Flow Housing Wrench (not shown)



# Limited Warranty

Watts Regulator Company warrants its OneFlow® tank systems as follows:

- The OneFlow® tank system is warranted to be free of defects in materials and workmanship for 5 years from the date of original shipment.
- The OneFlow® media is warranted for performance for a period of 2 years from the date of the original installation when installed and operated in accordance with the instructions in the corresponding Installation and Operation Manual.

Watts Regulator Company warrants its OneFlow® cartridge systems as follows:

- The OneFlow® cartridge system is warranted to be free of defects in materials and workmanship for 1 year from the date of original shipment.
- OneFlow® cartridges are warranted for performance for a period of one year from the date of original installation when installed and operated in accordance with the instructions in the corresponding Installation and Operation Manual.
- Carbon replacement filter cartridges are not warranted to perform for any period of time because the service life of replacement carbon filter cartridges varies significantly with local water conditions and volume.

## Conditions

1. The OneFlow® system must be installed in applications with municipally supplied water adhering to EPA guidelines with the exception of oil and grease, copper, phosphate, silica and chlorine. See copper warnings on page 2 and condition number 5 below.
2. Any component failure must not result from abuse, fire, freezing or other acts of nature, violence, or improper installation.
3. Equipment must be installed and operated in compliance with the local plumbing codes and on an approved water supply.
4. Equipment is limited to use at water pressures and temperatures that do not exceed our published specifications.
5. Water supply must not exceed 2.0 PPM chlorine. For water supply exceeding 2.0 PPM chlorine, pretreatment is required. (Please contact your water treatment specialist.)
6. Information, including model number, serial number, and date of installation, must be provided for any claims pertaining to equipment in warranty.
7. Defective parts are subject to inspection by either Watts Regulator Company or any authorized representative before final commitment of warranty adjustment is made.
8. Watts Regulator Company reserves the right to make changes or substitutions in parts or equipment with material of equal quality or value and of then current production.

## Limitations

Our obligation under this warranty with respect to the tank or valve is limited to furnishing a replacement for, or at our option, repairing any part or parts to our satisfaction that prove defective within the warranty period stated above. Such replacement parts will be delivered to the owner F.O.B. nearest factory, at no cost, excluding freight and local labor charges, if any.

Our obligation under this warranty with respect to the OneFlow® media will be limited to furnishing a replacement for the media within two years from date of original installation. Such replacement media will be delivered to the owner F.O.B. nearest factory, at no cost, excluding freight and local labor charges, if any. Damage to the media due to chlorine, other oxidizers or fouling caused by local water conditions or any other operation outside of the limits shown under Specifications, is not covered by this warranty.

THE WARRANTY SET FORTH HEREIN IS GIVEN EXPRESSLY AND IS THE ONLY WARRANTY GIVEN BY WATTS REGULATOR COMPANY WITH RESPECT TO THE PRODUCT. WATTS REGULATOR COMPANY MAKES NO OTHER WARRANTIES, EXPRESS OR IMPLIED. WATTS REGULATOR COMPANY HEREBY SPECIFICALLY DISCLAIMS ALL OTHER WARRANTIES, EXPRESS OR IMPLIED, INCLUDING BUT NOT LIMITED TO THE IMPLIED WARRANTIES OF MERCHANTABILITY AND FITNESS FOR A PARTICULAR PURPOSE.

The remedy described under this warranty shall constitute the sole and exclusive remedy for breach of warranty, and Watts Regulator Company shall not be responsible for any incidental, special or consequential damages, including without limitation, freight, handling, lost profits or the cost of repairing or replacing other property which is damaged if this product does not work properly, other costs resulting from labor charges, delays, vandalism, negligence, fouling caused by foreign material, damage from adverse water conditions, chemical, or any other circumstances over which Watts Regulator Company has no control. This warranty shall be invalidated by any abuse, misuse, misapplication or improper installation of the product.

Some states do not allow limitations on how long an implied warranty lasts, and some states do not allow the exclusion or limitation of incidental or consequential damages. Therefore the above limitations may not apply to you. This warranty gives you specific legal rights, and you may have other rights that vary from state to state. You should consult applicable state laws to determine your rights. SO FAR AS IS CONSISTENT WITH APPLICABLE STATE LAW, ANY IMPLIED WARRANTIES THAT MAY NOT BE DISCLAIMED, INCLUDING THE IMPLIED WARRANTIES OF MERCHANTABILITY AND FITNESS FOR A PARTICULAR PURPOSE, ARE LIMITED IN DURATION TO THE APPLICABLE WARRANTY PERIODS STATED ABOVE.





# Manuel d'installation, d'utilisation et d'entretien

## OneFlow<sup>®</sup> Anti-Scale System

Modèle OFTWH-C

Système anti-tartre OneFlow<sup>®</sup>

Prévention du tartre sans produits chimiques et sans sel

### ⚠ AVERTISSEMENT



Lisez ce manuel AVANT d'utiliser cet équipement.  
Le non-respect de ces instructions ou des renseignements relatifs à la sécurité et à l'utilisation risque de provoquer des blessures graves, voire mortelles, des dégâts matériels et des dommages à l'équipement.  
Conservez ce manuel à titre de référence ultérieure.

## Introduction

Le système anti-tartre OneFlow<sup>®</sup> protège contre la formation de tartre sur les surfaces de plomberie interne. Le système OneFlow<sup>®</sup> est un système à une seule cartouche qui doit être installé sur la conduite d'eau froide avant un dispositif de chauffage d'eau résidentiel simple (chauffe-eau ou chauffe-eau sans réservoir).

Le système OneFlow<sup>®</sup> est construit avec les meilleurs matériaux les plus modernes, et la qualité et la pression de chaque système sont vérifiées avant l'expédition. Avec une bonne installation et un entretien régulier, vous profiterez d'un fonctionnement sans souci pendant des années.

Veuillez vous reporter à ce manuel lorsque vous effectuez les changements de filtre réguliers. Les directives facilitent et accélèrent l'entretien périodique afin que vous puissiez tirer le maximum de votre système.

## Spécifications du système

**Raccords d'entrée/de sortie :** 3/4 po FNPT (19,05 mm)

**Débit nominal maximal de 5 gal/min (18,92 l/min)**

**Pression maximale :** 90 psi/6,2 bars

**Température maximale :** 100 °F/38 °C

**Température minimale :** 40 °F/5 °C

**Capacité :** la cartouche OFTWH-C-RM ne permet pas d'éliminer les grains, cependant, d'autres contaminants présents dans l'eau dégraderont graduellement l'efficacité de cette cartouche. Remplacer la cartouche OFTWH-C-RM au moins une fois tous les deux ans.

### ⚠ AVERTISSEMENT

- Raccorder le système uniquement à l'alimentation en eau froide. La température de l'eau ne doit pas dépasser 100 °F/38 °C.
- Le système doit être installé en position verticale et de niveau.
- N'appliquez aucun autre antitartre avant ou après OneFlow<sup>®</sup>.
- Prendre soin de ne pas utiliser le système avec de l'eau impropre sur le plan microbiologique ou dont la qualité est inconnue sans procéder à une désinfection adéquate en amont ou en aval du système.



**WATTS<sup>®</sup>**



## AVIS

- Ne pas jeter ce manuel après l'installation. Ce manuel contient des informations importantes sur le fonctionnement, l'entretien et les précautions. Veuillez présenter ce manuel à l'utilisateur, à l'opérateur ou au propriétaire après l'installation.
- Il est fortement recommandé de lire ce manuel avant d'installer le système pour garantir la meilleure installation possible.
- L'installation doit être conforme à tous les codes et réglementations locaux et provinciaux/territoriaux en matière de plomberie.
- Avis à l'utilisateur/opérateur/propriétaire : Veuillez conserver ce manuel à des fins de référence ultérieure pour les pièces, l'entretien et le dépannage.
- Il est recommandé que tout le personnel responsable du fonctionnement et de l'entretien de ce produit lise les sections de ce manuel se rapportant aux précautions, au fonctionnement et à l'entretien.

## Exigences relatives à l'état chimique de l'eau d'alimentation

pH	6,5 à 8,5
Dureté (maximum)	30 grains (513 ppm CaCO <sub>3</sub> ) *
Pression de l'eau	15 psi à 90 psi (1,03 bar à 6,2 bars)
Température	40 °F à 100 °F (5 °C à 38 °C)
Chlore libre	< 2 ppm
Fer (maximum)	0,3 ppm **
Manganèse (maximum)	0,05 ppm **
Cuivre	1,3 ppm ***
Huile et H <sub>2</sub> S	Doivent être retirés avant OneFlow
Phosphates totaux	< 3,0 ppm
Silice (maximum)	20 ppm †
MDT	1 500 mg/l ††

## AVIS

\* Les systèmes utilisant la technologie OneFlow® sont efficaces pour contrôler la formation de tartre à l'intérieur du système de plomberie à des niveaux de dureté influent jusqu'à 30 grains par gallon (513 ppm CaCO<sub>3</sub>) de carbonate de calcium. En raison des variations de la chimie de l'eau, 30 grains par gallon est un maximum de dureté recommandée en raison de problèmes esthétiques potentiels liés à la formation de résidus à faible échelle à l'extérieur du système de plomberie. Des essais doivent être effectués afin de déterminer l'application appropriée lorsque les niveaux de dureté dépassent 30 grains par gallon.

\*\*Tout comme avec les médias d'adoucissement de l'eau conventionnels, OneFlow® doit être protégé contre des niveaux excessifs de certains métaux qui peuvent facilement recouvrir la surface active, ce qui réduit son efficacité au fil du temps. L'eau fournie par les services publics pose rarement, voire jamais, de problème, mais si l'approvisionnement en eau provient d'un puits privé, confirmez que les niveaux de fer (Fe) et de manganèse (Mn) sont inférieurs à 0,3 mg/l et 0,05 mg/l, respectivement.

## ⚠ AVERTISSEMENT

\*\*\*Conformément aux normes de l'EPA relatives à l'eau potable, la concentration de cuivre autorisée ne doit pas dépasser 1,3 ppm. Des niveaux élevés de cuivre encrasseront le médium OneFlow, provenant généralement de la plomberie en cuivre. Les conduites de cuivre doivent être passivées pendant au moins 4 semaines avant de faire fonctionner l'appareil. Pour des applications dont la concentration de cuivre dépasse 1,3 ppm, veuillez communiquer avec l'équipe d'assistance technique Watts Water. Pour réduire davantage tout problème d'excès de cuivre, évitez d'appliquer trop de flux sur les surfaces intérieures des tuyaux et utilisez un flux soluble à l'eau peu corrosif conforme à la norme ASTM B813.

## AVIS

† Le média OneFlow® ne réduit pas le tartre de silice. Bien que la silice tende à avoir un effet moins important sur la formation de tartre que les autres minéraux, elle peut agir en tant que liant, rendant les taches d'eau et les résidus de tartre à l'extérieur de la tuyauterie difficiles à enlever. Cette limite de 20 ppm est à des fins esthétiques.

†† Tous les autres contaminants doivent satisfaire aux exigences de la USEPA Safe Water Drinking Act (loi sur l'eau potable sécuritaire de l'USEPA). Les MCL des minéraux et métalliques spécifiques, identifiés dans les la publication de Watts Feed Water Chemistry Requirements (exigences relatives à l'état chimique de l'eau d'alimentation), ont publié les exigences chimiques d'alimentation en eau d'alimentation, remplace le SDWA de l'USEPA.

Une eau qui contient des charges importantes de saletés et débris peut nécessiter une préfiltration avant l'utilisation de OneFlow®.

## ⚠ AVERTISSEMENT

### Précautions d'installation

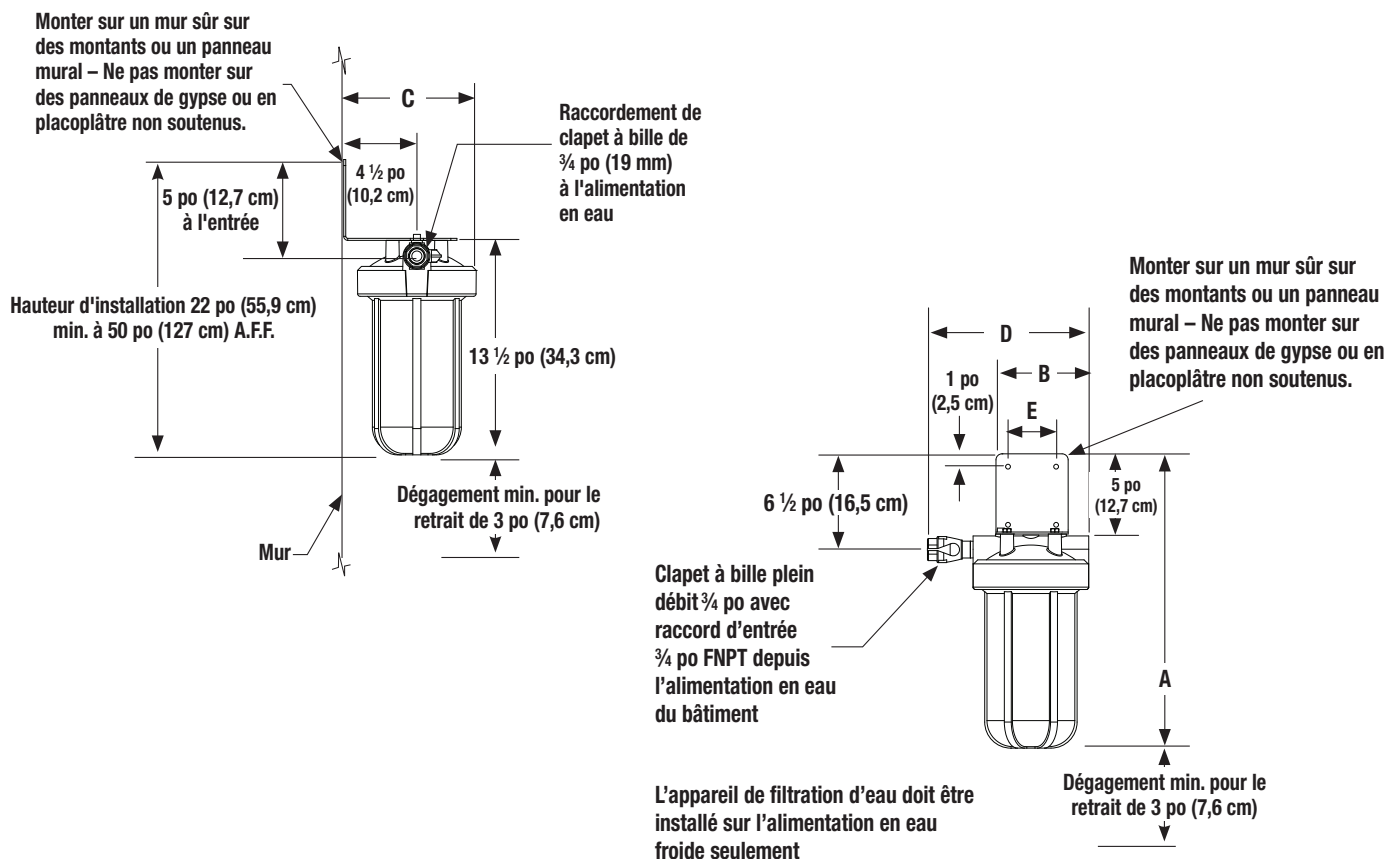
- Ne PAS installer le système si la pression de la conduite est supérieure à 90 psi.
- Ne PAS installer le système sur une arrivée d'eau CHAUDE. Le dépassement d'une température de 100 °F (37,8 °C) peut entraîner une panne ou endommager le boîtier.
- Ne PAS installer le système à l'envers avec la conduite d'alimentation d'eau connectée à la sortie.
- Ne PAS utiliser de composés liquides pour tuyau pour faire les raccords. APPLIQUER deux à trois tours de ruban Téflon®.
- Ne PAS souder les raccords de plomberie fixés au boîtier du filtre ou à la vanne d'entrée. La vanne d'entrée et le boîtier du filtre seront endommagés par une température élevée.
- Ne PAS laisser geler le système. Couper l'alimentation en eau au boîtier et au drain si la température chute en bas de 40 °F (5 °C).
- Ne PAS installer le système à un endroit directement exposé aux rayons du soleil, à un endroit où il pourrait entrer en contact avec des produits chimiques, ou à un endroit où il pourrait être heurté par un équipement en mouvement, un chariot, une vadrouille ou tout autre élément pouvant l'endommager.
- PRÉVOIR un dégagement d'au moins 3 po (7,6 cm) sous le boîtier pour le remplacement du filtre.
- Si un coup de bélier est apparent, installer des antibéliers en amont de l'appareil OneFlow®.
- Ne PAS trop serrer les raccords dans la vanne d'entrée ou la sortie du boîtier.
- Sécuriser toujours les vannes et les adaptateurs à l'aide d'une clé lors de l'installation d'un adaptateur dans le but d'éviter de tourner la vanne.
- Ne PAS installer l'appareil à un endroit difficile d'accès qui pourrait compliquer le remplacement du filtre.
- Placer l'appareil OneFlow® à un emplacement adéquat.
- Le sens de débit dans le OneFlow® se fait toujours d'abord dans l'entrée; en tenir compte pour déterminer l'emplacement de l'installation.
- Ne PAS installer le système OneFlow® à proximité d'une source de chaleur.
- Ne PAS monter le système au-dessus d'un appareil ou d'une zone qui pourrait être touchés par l'eau.

Téflon® est une marque déposée de E.I. DuPont de Nemours & Company.

# Installation

1. Éteignez tout équipement alimenté par le système OneFlow®, localisez et FERMEZ le robinet d'arrêt d'alimentation d'eau.
2. Déterminez si la conduite d'eau est dotée d'un système de traitement des eaux. Le cas échéant, examinez le système pour savoir s'il utilise des inhibiteurs de polyphosphates ou autre. OneFlow® ne sera pas efficace s'il est utilisé avec d'autres inhibiteurs de tartre. Retirez les inhibiteurs de tartre de la conduite d'eau ou interrompez l'installation.
3. Installez un clapet à bille plein débit de 3/4 po (19,05 mm) sur le côté alimentation d'eau qui alimentera le système d'eau.
4. Ancrez le système OneFlow® à un montant de mur ou à des montants de mur à matériel chevauchant. Le système doit être vertical ou debout.
5. Acheminez une conduite adéquate du clapet à bille plein débit de 3/4 po (19,05 mm) au robinet de la source d'alimentation en eau jusqu'au clapet à bille d'entrée sur le côté gauche du système OneFlow®. Appliquez 2 à 3 tours de ruban Téflon® et renforcez le clapet à bille d'entrée avec une clé lors du raccordement à la conduite d'alimentation à l'eau. **REMARQUE : NE PAS TROP SERRER LE RACCORDEMENT AU CLAPET À BILLE.**
6. Sélectionnez la bonne grandeur de tuyauterie pour l'équipement alimenté et le connecter à la sortie du système OneFlow®. **REMARQUE : NE PAS raccorder la tuyauterie à l'équipement à ce stade.** Avant de faire le raccordement à l'équipement, cette conduite sera utilisée pour faciliter la vidange du système. Ou, un robinet de vidange dans un T sur le côté sortie du système OneFlow® pourrait être fourni dans la conduite afin de faciliter la vidange lors du changement des filtres.
7. Le clapet d'entrée de OneFlow® étant fermé, ouvrez lentement le clapet à bille plein débit de 3/4 po (19,05 mm) au robinet d'alimentation d'eau. Vérifiez qu'il n'y a pas de fuites.
8. Si un robinet de vidange n'a pas été installé sur le côté sortie du système, tenez la tuyauterie qui sera raccordée à l'équipement dans un seau propre ou sur l'évier ou un drain. Ouvrez la vanne d'alimentation d'entrée du système et laissez l'eau rincer le système pendant deux (2) minutes au débit indiqué afin d'évacuer les bulles d'air. **REMARQUE : AUCUNE ACTIVATION REQUISE POUR QUE LE SYSTÈME OneFlow® FONCTIONNE CORRECTEMENT. LA VIDANGE EST RECOMMANDÉE POUR LAISSER L'AIR S'ÉVACUER DU SYSTÈME.**
9. Assurez-vous que l'extrémité de la tuyauterie raccordée à l'équipement est propre et désinfectée.
10. Raccordez la tuyauterie à l'équipement. Ouvrez tous les robinets d'alimentation d'eau et vérifiez l'étanchéité.
11. S'il n'y a pas de fuite, mettez l'équipement sous tension et vérifiez le fonctionnement normal.
12. Attachez le journal d'entretien au système OneFlow® et inscrivez la date d'installation.

## Dessins et dimensions d'installation



## Dimensions – Poids

Modèle	Dimensions										Poids	
	A		B		C		D		E		lb	kg
	po	mm	po	mm	po	mm	po	mm	po	mm		
OFTWH-C	18 1/2	470	4 1/2	114	8 5/8	219	10	254	3	76	12	5,5

La hauteur totale et la hauteur du raccord d'entrée varient en raison des variations matérielles et des tolérances de montage. Veuillez permettre un dégagement supplémentaire au-dessus du filtre pour faire les raccords.

# Utilisation

Avec une pression suffisante, le fonctionnement du système Watts OneFlow® est entièrement automatique. Le fonctionnement fiable suppose seulement des changements de filtre réguliers et les documents d'entretien.

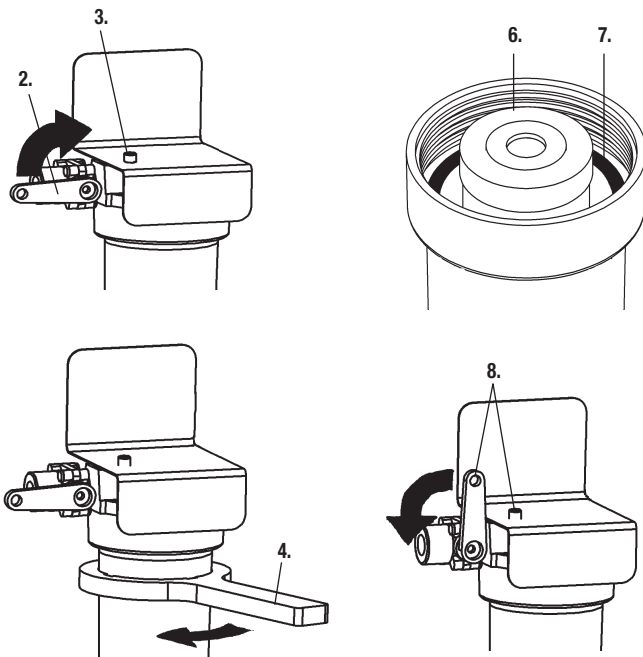
## Entretien

L'entretien de routine de votre système OneFlow® suppose le changement régulier des cartouches de filtres et/ou le remplacement des joints toriques de la pompe. Si les recommandations en matière de dimension ont été respectées, la cartouche OneFlow® devrait durer deux ans.

### Fréquence de remplacement du filtre

Les filtres devraient être changés en réaction aux conditions suivantes.

**OFTWH-C-RM** • 24 mois depuis l'installation ou le dernier changement de filtre.



## Cartouches de filtres de remplacement

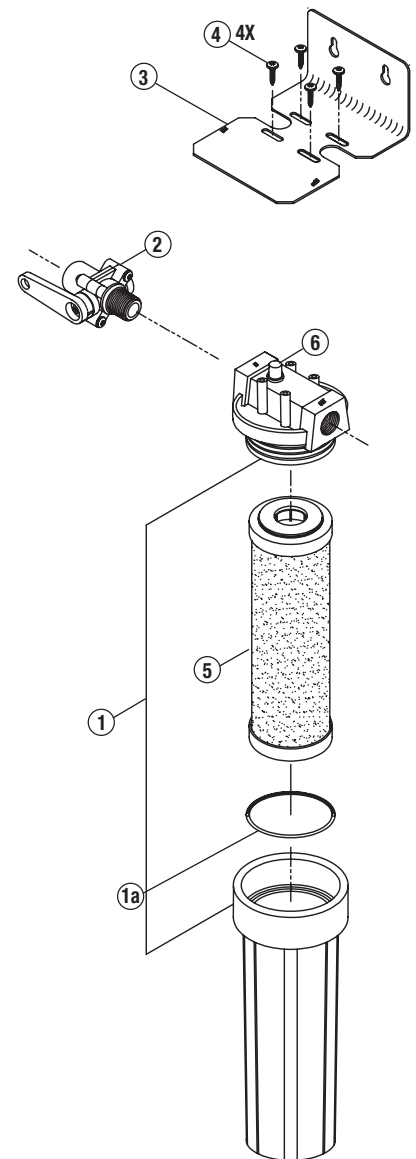
Les systèmes OneFlow® ne doivent être utilisés qu'avec des cartouches de filtres OneFlow®. L'utilisation de cartouches de remplacement autres que celles indiquées annulera les garanties, certifications et peut compromettre la protection de l'équipement, la qualité de l'eau et la durée de l'équipement.

### Procédure de remplacement de la cartouche filtre

1. **IMPORTANT** : tous les autres équipements raccordés au système OneFlow® doivent être mis hors tension avant de couper l'alimentation d'eau provenant des filtres.
2. Coupez l'alimentation d'eau au système OneFlow® en fermant le clapet à bille d'entrée.
3. Appuyez sur le bouton rouge pour libérer la pression.
4. Retrait du boîtier; utilisez une clé à filtre, si nécessaire.
5. Retirez le filtre du boîtier. Nettoyez l'intérieur du boîtier de filtration avec de l'eau tiède. Si désiré, désinfectez le boîtier en ajoutant une cuillère à thé d'un javellisant domestique au boîtier, remplissez d'eau, laissez reposer pendant 5 minutes, puis jetez.
6. Insérez la nouvelle cartouche dans le boîtier du filtre. Faites correspondre le numéro de modèle de la cartouche au numéro de modèle sur le support.
7. Vérifiez l'état du joint torique et remplacez-le s'il est endommagé ou déformé. Veillez à ce que le joint torique soit bien positionné et réinstallez le boîtier du filtre (serrez à la main seulement).
8. Ouvrez légèrement le clapet à bille d'entrée; poussez le bouton rouge de libération de pression pour libérer l'air coincé jusqu'à ce qu'une petite quantité d'eau sorte - relâchez le bouton rouge et ouvrez complètement le clapet à bille.
9. Ouvrez le robinet de rinçage de la conduite d'évacuation sur le boîtier du filtre (si équipé) et rincez la nouvelle cartouche dans le drain ou le seau pendant deux (2) minutes ou jusqu'à ce que l'eau soit claire. S'il n'y a pas de robinet de rinçage, détacher la conduite de l'équipement pour vidanger dans le drain.
10. **TRÈS IMPORTANT** : le robinet d'entrée de l'alimentation d'eau étant OUVERT et en présence d'un débit d'eau, mettez l'équipement connecté sous tension. L'équipement pourrait être gravement endommagé s'il n'y a pas d'alimentation d'eau.
11. Consignez le changement de filtre dans le journal d'entretien.

## Pièces de rechange pour : OneFlow® OFTWH-C

N° ID dessin	Code de commande EDP	Description
1	7100286	Boîtier plein débit 10 po, ports 3/4 po avec PR
1a	7300398	Joint torique plein débit
2	7300920	Clapet à bille PVC, 3/4 po F x M
3	7100466	Support de montage plein débit
4	7300395	Vis de montage
5	0002192	OFTWH-C-RM Cartouche de remplacement
6	N/R	Bouton de libération de pression (partie du boîtier)
7	7100299	Clé de boîtier plein débit (non illustré)



# Garantie limitée

Watts Regulator Company garantit ses systèmes de réservoirs OneFlow® comme suit :

- Le système de réservoir OneFlow® est garanti comme étant exempt de tout défaut, tant au niveau des matériaux utilisés que de la main d'œuvre, et ce, pendant cinq (5) ans à compter de l'expédition initiale.
- Le rendement du média OneFlow® est garanti pendant deux (2) ans à compter de la date de l'installation initiale lorsqu'il est installé et utilisé conformément aux instructions du manuel d'installation et d'utilisation correspondant.

Watts Regulator Company garantit ses systèmes de cartouches OneFlow® comme suit :

- Le système de cartouches OneFlow® est garanti comme étant exempt de tout défaut, tant au niveau des matériaux utilisés que de la main d'œuvre, et ce, pendant un (1) an à compter de l'expédition initiale.
- Les cartouches OneFlow® sont garanties pendant une période d'un (1) an à compter de la date de l'installation initiale lorsqu'elles sont installées et utilisées conformément aux instructions du manuel d'installation et d'utilisation correspondant.
- Les cartouches de filtres de remplacement au charbon ne sont pas garanties pour fonctionner pour une période de temps donnée, car la durée de vie du filtre au charbon varie considérablement en fonction des conditions locales et du volume.

## Conditions

1. Le système OneFlow® doit être installé dans des applications fournies en eau par la municipalité dans le respect des directives de l'EPA, à l'exception de l'huile et de la graisse, du cuivre, du phosphate, de la silice et du chlore. Consultez les avertissements concernant le cuivre en page 2, ainsi que la condition numéro 5 ci-dessous.
2. Toute panne d'un composant ne doit pas découler d'un abus, d'un incendie, du gel ou d'autres phénomènes naturels, actes de violence ou d'une mauvaise installation.
3. L'équipement doit être installé et utilisé en conformité avec les codes de plomberie locaux et sur un approvisionnement en eau approuvé.
4. L'équipement est limité à une utilisation à des pressions d'eau et des températures qui ne dépassent pas les spécifications que nous avons publiées.
5. L'approvisionnement en eau ne doit pas dépasser 2,0 ppm de chlore. Pour l'approvisionnement en eau dépassant 2,0 ppm de chlore, un prétraitement est nécessaire. (Veuillez communiquer avec votre spécialiste du traitement de l'eau.)
6. L'information, y compris le numéro de modèle, le numéro de série et la date d'installation, doit être fournie pour toute réclamation concernant le matériel sous garantie.
7. Les pièces défectueuses sont soumises à une inspection par Watts Regulator Company ou par tout représentant autorisé avant que le recours définitif de la garantie soit exécuté.
8. Watts Regulator Company se réserve le droit d'apporter des modifications ou des substitutions aux pièces ou à l'équipement par du matériel de qualité égale ou de valeur égale et ensuite par du matériel de la production courante.

## Limitations

Notre obligation en vertu de la présente garantie par rapport au réservoir ou à la vanne est limitée à fournir un remplacement pour, ou selon notre option, la réparation de l'ensemble des pièces ou d'une pièce à notre satisfaction qui se révèle/révèlent défectueuse(s) pendant la période de garantie indiquée ci-dessus. Ces pièces de rechange seront livrées au propriétaire FAB à l'usine la plus proche, sans frais, à l'exclusion des frais de livraison et de main-d'œuvre locale, le cas échéant.

Notre obligation en vertu de cette garantie par rapport au média OneFlow® sera limitée à fournir un remplacement pour le média dans les deux ans à compter de la date d'installation initiale. Ce remplacement sera livré au propriétaire FAB à l'usine la plus proche, sans frais, à l'exclusion des frais de livraison et de main-d'œuvre locale, le cas échéant. Les dommages au média attribuables au chlore, à d'autres comburants ou à l'encrassement provoqué par les conditions locales de l'eau ou toute autre opération en dehors des limites indiquées dans les caractéristiques ne sont pas couverts par la présente garantie.

LA PRÉSENTE GARANTIE EST EXPRESSE ET REPRÉSENTE LA SEULE GARANTIE OFFERTE PAR WATTS REGULATOR COMPANY POUR CE PRODUIT. WATTS REGULATOR COMPANY N'OFFRE AUCUNE AUTRE GARANTIE, EXPRESSE OU TACITE. PAR LA PRÉSENTE, WATTS REGULATOR COMPANY REJETTE SPÉCIFIQUEMENT TOUTE AUTRE GARANTIE, EXPRESSE OU TACITE, NOTAMMENT TOUTE GARANTIE TACITE DE QUALITÉ MARCHANDE OU D'ADAPTATION À UN BUT PARTICULIER.

Le recours décrit dans le premier paragraphe de cette garantie constitue le seul recours à toute violation de la présente garantie. Watts Regulator Company ne saurait être tenue responsable de tout dommage accessoire, spécial ou indirect, y compris, sans s'y limiter : la perte de profits ou le coût afférent à la réparation ou au remplacement d'autres biens qui seraient endommagés par suite du fonctionnement incorrect dudit produit; d'autres coûts résultant de frais de main-d'œuvre, de retards, de vandalisme, de négligence, d'une obstruction causée par des corps étrangers, de dommages causés par une eau impropre, des produits chimiques ou par tout autre événement échappant au contrôle de Watts Regulator Company. La présente garantie est déclarée nulle et non avenue en cas d'usage abusif ou incorrect, d'une mauvaise utilisation ou d'une mauvaise installation du produit.

Certains États n'autorisent pas les limitations de durée d'une garantie tacite ou l'exclusion ou la limitation des dommages accessoires ou indirects. Les limitations susmentionnées peuvent donc ne pas s'appliquer à vous. Cette garantie vous octroie des droits légaux, et il se peut que vous en ayez d'autres qui varient d'un État à l'autre. Veuillez vous référer aux lois applicables de l'État pour déterminer vos droits en la matière. DANS LA MESURE PERMISE PAR LA LOI APPLICABLE DE L'ÉTAT, TOUTES LES GARANTIES TACITES NE POUVANT PAS ÊTRE REJETÉES, Y COMPRIS LES GARANTIES TACITES DE QUALITÉ MARCHANDE ET D'ADAPTATION À UN BUT PARTICULIER, SONT LIMITÉES EN DURÉE AUX PÉRIODES DE GARANTIE APPLICABLES CI-DESSUS.



# Manual de instalación, funcionamiento y mantenimiento

## OneFlow<sup>®</sup> Anti-Scale System

### Modelo OFTWH-C Sistema antisarro de OneFlow<sup>®</sup> Prevención de sarro libre de químicos y sal

#### ⚠ ADVERTENCIA



Lea este manual **ANTES** de utilizar este equipo.  
Si no lee y respeta toda la información sobre seguridad y uso, pueden ocasionarse muertes, lesiones personales graves, daños materiales o daños al equipo.  
Conserve este manual para consultarlo en el futuro.

## Introducción

El sistema antisarro OneFlow<sup>®</sup> evita que se forme sarro en las superficies internas de las instalaciones de fontanería. El OneFlow<sup>®</sup> es un sistema basado en un solo cartucho que debe instalarse en una tubería de agua fría antes de un solo dispositivo de calentamiento de agua residencial (calentador de agua o calentador de agua sin tanque).

El sistema OneFlow<sup>®</sup> está fabricado con los materiales más finos y avanzados y cada sistema se inspecciona en función de la calidad y se prueba la presión antes del envío. Con la instalación y el mantenimiento de rutina adecuados, tendrá años de funcionamiento sin problemas.

Consulte este manual cuando realice cambios de filtro rutinarios. Las instrucciones facilitan y agilizan el mantenimiento periódico y se aseguran de que usted reciba el máximo beneficio de su sistema.

## Especificaciones del sistema

**Conexiones de entrada/salida:** 3/4" FNPT (19.05 mm)

**Caudal nominal de hasta 5 gpm (18.92 lpm)**

**Presión máxima:** 90 psi/6.2 bar

**Temperatura máxima:** 100 °F/38 °C

**Temperatura mínima:** 40 °F/5 °C

**Capacidad:** el cartucho OFTWH-C-RM no tiene capacidad de eliminación de grano; sin embargo, otros contaminantes presentes en el agua degradarán gradualmente la efectividad de este cartucho. Cambie el cartucho OFTWH-C-RM al menos una vez cada dos años.



#### ⚠ ADVERTENCIA

- Conecte el sistema únicamente al suministro de agua fría. La temperatura del agua no puede superar los 100 °F/38 °C.
- El sistema debe instalarse en posición vertical, recta y nivelada.
- No aplique otros productos antisarro antes o después de OneFlow<sup>®</sup>.
- No se debe usar con agua que no sea microbiológicamente segura o de calidad desconocida, sin desinfección adecuada antes o después del sistema.

# WATTS<sup>®</sup>



## AVISO

- No deseche este manual después de la instalación. Este manual contiene información importante de funcionamiento, mantenimiento y precaución. Presente este manual al usuario/operador/propietario después de la instalación.
- Se recomienda encarecidamente leer este manual antes de instalar el sistema para garantizar la mejor instalación posible.
- La instalación debe ajustarse a todos los códigos y normativas de fontanería locales y estatales.
- Aviso al usuario/operador/propietario: conserve este manual para futuras consultas sobre piezas, mantenimiento o solución de problemas.
- Se recomienda que todo el personal responsable de la operación y mantenimiento de este producto lea las precauciones, el funcionamiento y las secciones de mantenimiento de este manual.

## Requisitos de químicos del agua de alimentación

pH	6.5-8.5
Dureza (máximo)	30 granos (513 ppm CaCO <sub>3</sub> ) *
Presión del agua	15 psi a 90 psi (1.03 bar a 6.2 bar)
Temperatura	40 °F a 100 °F (5 °C a 38 °C)
Cloro libre	< 2 ppm
Hierro (máximo)	0.3 ppm **
Manganeso (máximo)	0.05 ppm **
Cobre	1.3 ppm***
Aceite y H <sub>2</sub> S	Debe eliminarse antes de OneFlow
Fosfatos totales	< 3.0 ppm
Sílice (máximo)	20 ppm †
TDS (sólidos disueltos totales)	1500 mg/l ††

## AVISO

\* Los sistemas que utilizan la tecnología OneFlow® son efectivos para controlar la acumulación de sarro-cal dentro del sistema de fontanería a niveles de dureza influyente de hasta 30 granos por galón (513 ppm CaCO<sub>3</sub>) de carbonato cálcico. Debido a las variaciones en la química del agua, 30 granos por galón es el máximo de dureza recomendado debido a posibles problemas estéticos relacionados con la formación de residuos de sarro fuera del sistema de fontanería. Las pruebas deben realizarse para determinar la aplicación adecuada en la que los niveles de dureza exceden los 30 granos por galón.

\*\*Al igual que con los medios ablandadores de agua convencionales, los medios de OneFlow® necesitan estar protegidos de los niveles excesivos de ciertos metales que pueden cubrir fácilmente la superficie activa y reducir su efectividad con el tiempo. El suministro público de agua potable raras veces presenta problemas, pero si recibe su suministro de agua de un pozo privado, confirme que los niveles de hierro (Fe) y manganeso (Mn) sean menores de 0.3 mg/l y 0.05 mg/l, respectivamente.

## ⚠ ADVERTENCIA

\*\*\*De conformidad con las normas de agua potable de la EPA (Agencia de protección ambiental), la concentración máxima de cobre permitida es de 1.3 ppm. Típicamente procedente de nuevas tuberías de cobre, los altos niveles de cobre pueden contaminar los medios OneFlow. Las líneas de cobre nuevas deben estar pasivadas durante un mínimo de 4 semanas antes de poner en servicio la unidad. Para aplicaciones con una concentración de cobre mayor a 1.3 ppm, favor de contactar al Servicio Técnico de calidad de Watts. Para minimizar aún más cualquier problema relacionado con un exceso de cobre, evite aplicar un exceso de fundente en las superficies internas de la tubería, así como utilizar un fundente de baja corrosividad, soluble en agua, indicado en la norma ASTM B813.

## AVISO

† Los medios de OneFlow® no reducen el sarro de sílice. Aunque el sílice tiende a tener un efecto menos significativo en la formación de sarro que otros minerales, puede actuar como aglutinante y hacer que las manchas de agua y los residuos de sarro sean difíciles de quitar del sistema de fontanería. El límite de 20 ppm es por fines estéticos.

†† Todos los demás contaminantes deben cumplir los requisitos de la Ley de agua potable segura de la USEPA (Agencia de protección ambiental de EE. UU.). Los MCL (niveles máximos de contaminantes) de minerales y de metal específicos, identificados en los requisitos de químicos de agua de alimentación publicados de Watts, reemplaza la SDWA (Ley del agua potable segura) de USEPA.

Cuando se sepa que el agua tiene fuertes cantidades de suciedad y residuos, es posible que se requiera filtrarla antes de tratarla con OneFlow®.

## ⚠ ADVERTENCIA

### Precauciones de instalación

- NO instale el sistema sobre la presión de la línea por encima de 90 psi.
- NO instale el sistema en la línea de agua CALIENTE. Si no se limita la temperatura de la línea a 100 °F (30 °C), se puede producir una falla y daños en la carcasa.
- NO instale el sistema hacia atrás con la línea de agua de alimentación conectada a la toma.
- NO utilice compuestos líquidos de tubos para realizar conexiones. UTILICE dos o tres vueltas de cinta Teflon®.
- NO suelde las conexiones de fontanería conectadas a la carcasa del filtro o a la válvula de entrada. La válvula de entrada y la carcasa del filtro se dañarán a altas temperaturas.
- NO permita que el sistema se congele. Cierre el suministro de agua a la carcasa y vacíela si la temperatura cae por debajo de 40 °F (5 °C).
- NO instale el sistema bajo la luz solar directa ni cuando el sistema esté expuesto a sustancias químicas duras o puede estar sujeto a golpes por equipo en movimiento, carros, trapeadores o cualquier otro elemento que pueda causar daños.
- CONCEDA un mínimo de 3" (7.6 cm) debajo de la carcasa para permitir la sustitución del filtro.
- Si el golpe de ariete es evidente, instale los supresores de golpes de ariete antes de la unidad OneFlow®.
- NO apriete en exceso las conexiones de ajuste en la válvula de entrada o en la toma de la carcasa.
- Cuando instale un accesorio, utilice siempre válvulas de reserva y accesorios con una llave para evitar girar la válvula.
- NO instale la unidad detrás del equipo en donde sea difícil acceder al sistema para la sustitución del filtro.
- Coloque el OneFlow® en una ubicación adecuada.
- La dirección del flujo a través de la unidad OneFlow® siempre se encuentra a través de la entrada; tenga esto en cuenta al determinar la ubicación de instalación.
- NO monte el OneFlow® cerca de cualquier fuente de calor.
- NO monte el sistema por encima de ningún dispositivo o área que pueda verse perjudicado por el agua.

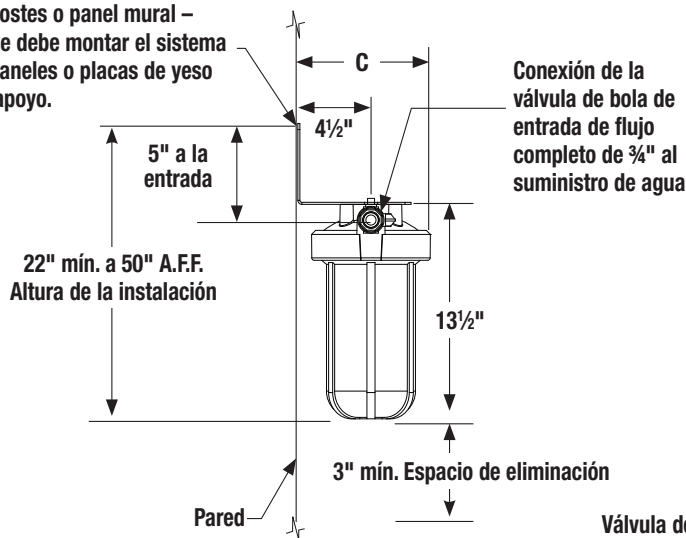
Teflon® es una marca registrada de E.I. DuPont de Nemours & Company.

# Instalación

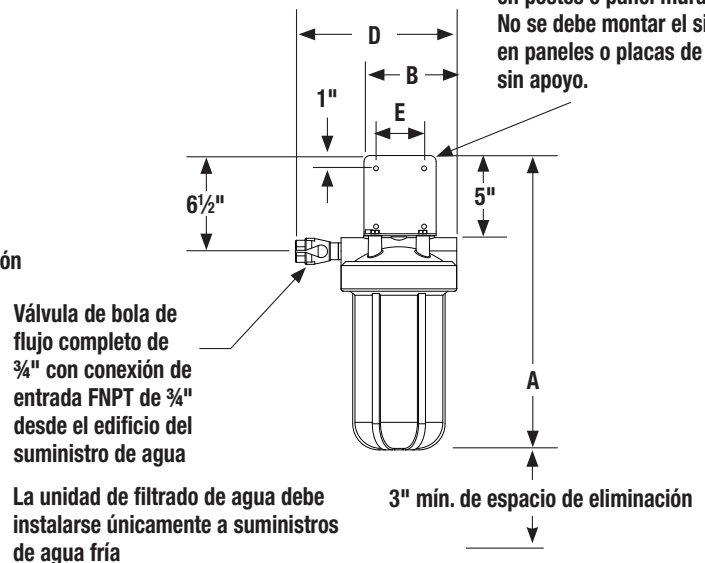
1. Apague todo el equipo que vaya a alimentar el Sistema OneFlow®, localice la válvula de cierre de suministro de agua y ciérrela.
2. Determine si la línea de agua tiene un sistema de tratamiento de agua existente. De ser así, examine el sistema para el uso de polifosfato u otros inhibidores de sarro. OneFlow® no será eficaz si se utiliza junto con otros inhibidores de sarro. Retire los inhibidores de sarro de la línea de agua o suspenda la instalación.
3. Instale una válvula de bola de flujo completo de 3/4" (1.9 cm) en el lado de suministro de agua que alimenta el sistema de agua.
4. Ancle el sistema OneFlow® en un montante o un material de montaje adecuado que abarque los montantes. El sistema debe estar vertical y recto.
5. Instale una línea adecuada desde la válvula de bola de flujo completo de 3/4" (1.9 cm) en la fuente de agua de grifo a la válvula de bola de entrada situada a la izquierda del sistema OneFlow®. Utilice 2-3 vueltas de cinta Teflon® y sujete la válvula de bola de la entrada del sistema con una llave cuando conecte la línea de agua de alimentación. **NOTA: NO APRIETE DEMASIADO LA CONEXIÓN EN LA VÁLVULA DE BOLA.**
6. Seleccione el tubo de tamaño adecuado para el equipo que se está alimentando y conéctelo a la salida del sistema OneFlow®. **NOTA: NO conecte el tubo al equipo en este momento. Antes de conectar al equipo, esta línea se utilizará para facilitar el lavado del sistema. Como opción, se puede proporcionar una válvula de drenaje en una T situada en el lado de salida del sistema OneFlow® en la línea para facilitar el lavado al cambiar los filtros.**
7. Con la válvula de entrada OneFlow® cerrada, abra lentamente la válvula de bola de flujo completo de 3/4" (1.9 cm) en la fuente de agua del grifo. Verifique que no haya fugas.
8. Si no se instaló una válvula de drenaje en el lado de la salida de sistema, sostenga el tubo que se conectará al equipo en una cubeta limpia o sobre el fregadero o el drenaje. Abra la válvula de alimentación de entrada del sistema y deje que el agua se fluya a través del sistema durante 2 minutos a la velocidad de flujo del sistema especificada para permitir que se escapen las burbujas de aire. **NOTA: NO SE REQUIERE ACTIVACIÓN PARA QUE EL SISTEMA OneFlow® FUNCIONE CORRECTAMENTE. SE RECOMIENDA EL LAVADO PARA PERMITIR QUE EL AIRE SALGA DEL SISTEMA.**
9. Asegúrese de que el extremo del tubo que se va a conectar al equipo esté limpio e higiénico.
10. Conecte el tubo al equipo. Abra todas las válvulas de suministro de agua y verifique que no haya fugas.
11. Si no hay fugas, encienda el equipo y compruebe si el funcionamiento es normal.
12. Adjunte el registro de servicio a la instalación del sistema OneFlow® y anote la fecha de instalación.

## Dibujos y dimensiones de instalación

Instalado en una pared sólida en postes o panel mural – No se debe montar el sistema en paneles o placas de yeso sin apoyo.



Instalado en una pared sólida en postes o panel mural – No se debe montar el sistema en paneles o placas de yeso sin apoyo.



## Dimensiones — Peso

Modelo	Dimensiones										Peso	
	A		B		C		D		E		lb	kg
	in	mm	in	mm	in	mm	in	mm	in	mm		
OFTWH-C	18½	470	4½	114	8⅝	219	10	254	3	76	12	5.5

La altura general y la altura del acoplamiento de entrada varía debido a variaciones en el material y tolerancias de montaje. Deje un espacio adicional por encima del filtro para hacer las conexiones.

# Funcionamiento

Con la presión suficiente, el funcionamiento del sistema Watts OneFlow® será completamente automático. El funcionamiento fiable supone únicamente un cambio periódico de filtro y la documentación del servicio.

## Mantenimiento

El mantenimiento de rutina de su sistema OneFlow® incluye el cambio periódico de los cartuchos de filtro y/o el reemplazo del desagüe de las juntas tóricas. Si se han seguido las recomendaciones de calibrado del sistema, el cartucho OneFlow® debería durar dos años.

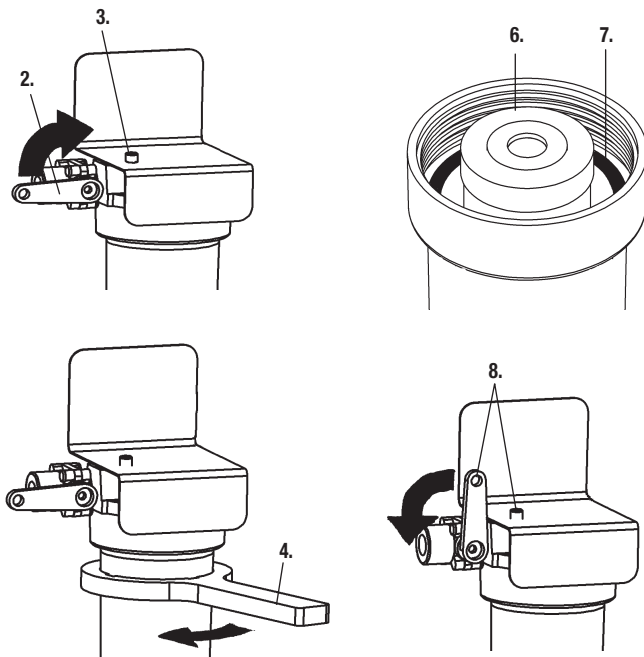
### Frecuencia en el cambio de filtros

Los filtros se deben cambiar siguiendo las siguientes condiciones.

**OFTWH-C-RM** • 24 meses desde la instalación o el último cambio de filtro.

## Filtros de cartucho de repuesto

El sistema OneFlow® solo se puede usar con cartuchos de filtro OneFlow®. El uso de cartuchos de repuesto que no sean los especificados invalidarán las garantías, certificaciones y podrían poner en peligro la protección del sistema, calidad del agua y la vida útil del equipo.

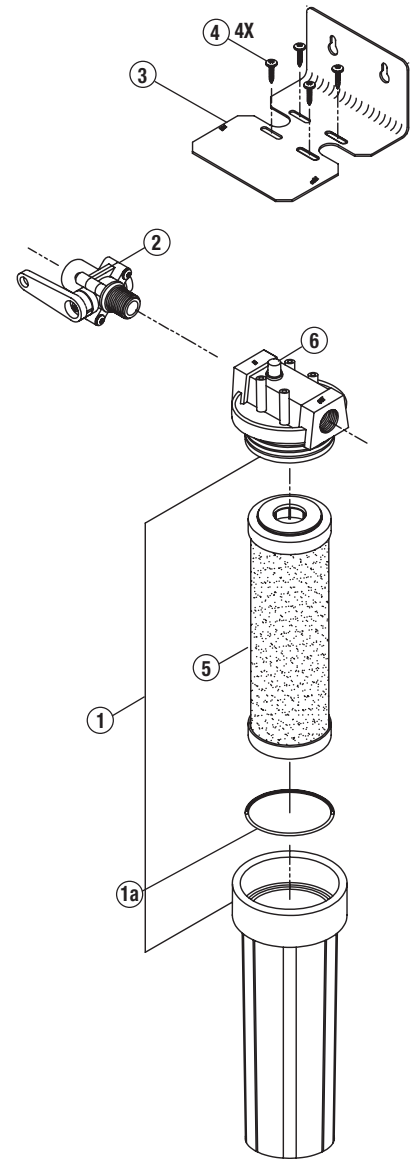


### Procedimiento de reemplazo de cartucho de filtro

1. **IMPORTANTE:** Antes de cerrar el suministro de agua de los filtros, se deben apagar todos los equipos conectados al sistema OneFlow®.
2. CIERRE la válvula de bola de entrada para apagar el agua del sistema OneFlow®.
3. Presione el botón rojo para liberar la presión.
4. Quite el bastidor: utilice llave para el filtro de ser necesario.
5. Quite el bastidor del filtro. Limpie dentro del bastidor con agua tibia. Si lo desea, desinfecte el bastidor con una cucharada de blanqueador doméstico. Llénelo con agua, deje reposar por 5 minutos y deséchelo.
6. Inserte el nuevo cartucho dentro del bastidor del filtro. Combine el número de modelo del cartucho con el número de modelo en el soporte.
7. Verifique que la junta tórica no esté dañada y reemplácela si está dañada o distorsionada. Asegúrese de que las juntas tóricas están posicionadas adecuadamente, y reinstale el bastidor del filtro (apriete únicamente con la mano).
8. Abra la válvula de bola de entrada ligeramente; presione el botón rojo de liberación de aire retenido hasta que salga una pequeña cantidad de agua, suelte el botón rojo y abra la válvula de bola completamente.
9. Abra la línea descendiente de la válvula de descarga desde el bastidor del filtro (de estar equipado) y descargue el nuevo cartucho para drenarlo o ponerlo en un balde por dos (2) minutos, o hasta que el agua salga transparente. De no contener una válvula de descarga, desconecte la línea del equipo para descargar y drenar.
10. **MUY IMPORTANTE:** encienda el equipo conectado con la válvula de entrada del suministro de agua ABIERTA y el flujo de agua confirmado. Si no se le suministra agua al equipo, se pueden provocar serios daños.
11. Registre el cambio de filtro en el registro de servicio.

Piezas de repuesto para: OneFlow® OFTWH-C

N.º de identificación de la ilustración	Código de orden EDP	Descripción
1	7100286	Bastidor de flujo completo de 10", puertos de 3/4" con PR
1a	7300398	Junta tórica de flujo completo
2	7300920	Válvula de bola PVC, 3/4" F x M
3	7100466	Soporte de montaje de flujo completo
4	7300395	Tornillos de montaje
5	0002192	Cartucho de repuesto OFTWH-C-RM
6	N/R	Botón de liberación de presión (parte del bastidor)
7	7100299	Llave de bastidor de flujo completo (no se muestra)



# Garantía limitada

Watts Regulator Company garantiza el sistema de tanques OneFlow® de la siguiente manera:

- Se garantiza que el sistema de tanques OneFlow® no contendrá defectos en sus materiales y mano de obra por 5 años desde la fecha original de envío.
- Se garantiza el funcionamiento de la sustancia OneFlow® por un período de 2 años desde la fecha original de instalación, si la instalación y funcionamiento cumplen con las instrucciones presentes en el manual de Instalación y funcionamiento.

Watts Regulator Company garantiza el sistema de cartuchos OneFlow® de la siguiente manera:

- Se garantiza que el sistema de cartuchos OneFlow® no contendrá defectos en sus materiales y mano de obra por 1 año desde la fecha original de envío.
- Se garantiza el funcionamiento de los cartuchos OneFlow® por un período de un año desde la fecha original de instalación, si la instalación y funcionamiento cumplen con las instrucciones presentes en el manual de Instalación y funcionamiento.
- No se garantiza el funcionamiento de los filtros de repuesto de carbono durante ningún período de tiempo debido a que la vida útil de los cartuchos de filtro de repuesto de carbono varía significativamente según las condiciones climáticas locales y su volumen.

## Condiciones

1. El sistema OneFlow® debe instalarse en aplicaciones con agua del suministro municipal que cumplan las pautas de la EPA a excepción de aceite y grasa, cobre, fosfato, sílice y cloro. Consulte las advertencias sobre el cobre en la página 2 y el número de condición 5 a continuación.
2. Las fallas en los componentes no deben ser consecuencia de abuso, fuego, congelamiento u otros actos de la naturaleza, violencia o instalación no adecuada.
3. El equipo debe instalarse y operarse de acuerdo con los códigos locales de plomería y con un suministro de agua aprobado.
4. El equipo se limita al uso en presiones de agua y temperaturas que no excedan nuestras especificaciones publicadas.
5. El suministro de agua no debe exceder los 2,0 ppm de cloro. Para un suministro de agua que exceda los 2,0 ppm de cloro, se requiere un tratamiento previo. (Comuníquese con su especialista de tratamiento de agua).
6. Se debe proporcionar la información, incluyendo el número de modelo, número de serie y fecha de instalación, para todo reclamo acerca del equipo con garantía.
7. Las piezas defectuosas están sujetas a una inspección por Watts Regulator Company o algún representante autorizado antes de realizar el ajuste de compromiso de garantía final.
8. Watts Regulator Company se reserva el derecho de realizar cambios o sustituciones en las piezas o equipos con material de calidad o valor equivalente y luego de su producción actual.

## Limitaciones

Nuestra obligación según la presente garantía con respecto al tanque o válvula se limita a facilitar un reemplazo, o a nuestra opción, reparar toda pieza o piezas a nuestra satisfacción, que se comprobaron defectuosas, dentro del período de garantía antes mencionado. Dichas piezas de reemplazo se entregarán a la fábrica F.O.B. más cercana del dueño, sin costo alguno, excluyendo cargos por fletes y trabajos locales, de presentarse.

Nuestra obligación según la presente garantía con respecto a la sustancia de OneFlow® se limitará a facilitar un reemplazo por la sustancia en un plazo de dos años a partir de la fecha de la instalación original. Dicha sustancia de reemplazo se entregará a la fábrica F.O.B. más cercana del dueño, sin costo alguno, excluyendo cargos por fletes y trabajos locales, de presentarse. El daño a la sustancia debido al cloro, otros oxidantes u otros residuos causados por las condiciones locales del agua o todo funcionamiento adicional fuera de los límites indicados en las Especificaciones no se cubrirá mediante esta garantía.

LA GARANTÍA AQUÍ ESTABLECIDA SE CONFIERE EXPRESAMENTE Y ES LA ÚNICA GARANTÍA OTORGADA POR WATTS REGULATOR COMPANY CON RESPECTO AL PRODUCTO. WATTS REGULATOR COMPANY NO EXTIENDE NINGUNA OTRA GARANTÍA, EXPLÍCITA O IMPLÍCITA. WATTS REGULATOR COMPANY SE EXIME ESPECÍFICAMENTE A TRAVÉS DE ESTE DOCUMENTO DE CUALQUIER OTRA GARANTÍA, EXPLÍCITA O IMPLÍCITA, INCLUIDAS ENTRE OTRAS, LAS GARANTÍAS IMPLÍCITAS DE COMERCIABILIDAD Y APTITUD PARA UN FIN EN PARTICULAR.

El recurso descrito en esta garantía será el único y exclusivo en caso de incumplimiento de la garantía, y Watts Regulator Company no será responsable por ningún daño incidental, especial ni indirecto, lo cual incluye, a título meramente enunciativo, flete, manipulación, lucro cesante o el costo de reparar o reemplazar otros bienes que se hayan dañado si este producto no funciona correctamente, otros costos resultantes de mano de obra, retrasos, vandalismo, negligencia, contaminación ocasionada por materia extraña, daños por condiciones adversas del agua, productos químicos o cualquier otra circunstancia sobre la cual Watts Regulator Company no tenga control. Esta garantía quedará anulada por maltrato, uso indebido, mal uso o instalación incorrecta del producto.

Algunos estados no permiten limitaciones sobre la duración de las garantías implícitas y algunos estados no permiten la exclusión ni la limitación de daños incidentales o indirectos. Por lo tanto, es posible que las limitaciones anteriores no correspondan en su caso. Esta garantía le proporciona derechos legales específicos, y usted también puede tener otros derechos que varían de un estado a otro. Deberá consultar las leyes estatales correspondientes para poder determinar sus derechos. MIENTRAS ASÍ LO PERMITA LA LEGISLACIÓN ESTATAL APLICABLE, LAS GARANTÍAS IMPLÍCITAS QUE NO PUEDAN RECHAZARSE, INCLUIDAS, A MODO ILUSTRATIVO, LAS GARANTÍAS IMPLÍCITAS DE COMERCIABILIDAD Y APTITUD PARA UN FIN PARTICULAR, TENDRÁN UNA DURACIÓN LIMITADA A LOS PERÍODOS DE GARANTÍA APLICABLES ANTES MENCIONADOS.

