

# Chapter 7

Components for  
gas, diesel  
and fuel oil  
systems

## EV - Solenoid valve with manual resetting



Explosion-proof version  
Models with position indicator  
Various supply voltages

**giuliani anello**

## Chapter 7.1

# Devices for gas

### PRESSURE REGULATORS

#### FGD

Aluminium pressure regulator with built-in filter, to EN 88-1. Max. inlet pressure 200 mbar. Maximum outlet pressure 160 mbar. Suitable for manufactured gas, natural gas, liquefied petroleum gas (LPG), non-aggressive gas and air. Operating temperature range: -15÷60°C.



Type	Part Number	Connection	Description	Qty/ Box	Box/ carton
FGD15	009.0020.101	1/2"	With neutral spring 10 - 30 mbar	1	1
FGD15	009.0020.102	1/2"	With green spring 5 - 15 mbar	1	1
FGD15	009.0220.103	1/2"	With violet spring 25 - 80 mbar	1	1
FGD15	009.0020.104	1/2"	With brown spring 70 - 160 mbar	1	1
FGD20	009.0021.101	3/4"	With neutral spring 10 - 30 mbar	1	1
FGD20	009.0021.102	3/4"	With green spring 5 - 15 mbar	1	1
FGD20	009.0021.103	3/4"	With violet spring 25 - 80 mbar	1	1
FGD20	009.0021.104	3/4"	With brown spring 70 - 160 mbar	1	1
FGD25	009.0022.101	1"	With neutral spring 10 - 30 mbar	1	1
FGD25	009.0022.102	1"	With green spring 5 - 15 mbar	1	1
FGD25	009.0022.103	1"	With violet spring 25 - 80 mbar	1	1
FGD25	009.0022.104	1"	With brown spring 70 - 160 mbar	1	1
FGD32	009.0023.101	1.1/4"	With neutral spring 10 - 30 mbar	1	1
FGD32	009.0023.102	1.1/4"	With green spring 5 - 15 mbar	1	1
FGD32	009.0023.103	1.1/4"	With violet spring 20 - 70 mbar	1	1
FGD32	009.0023.104	1.1/4"	With brown spring 65 - 130 mbar	1	1
FGD32	009.0023.106	1.1/4"	With white spring 120 - 160 mbar	1	1
FGD40	009.0024.101	1.1/2"	With neutral spring 10 - 30 mbar	1	1
FGD40	009.0024.102	1.1/2"	With green spring 5 - 15 mbar	1	1
FGD40	009.0024.103	1.1/2"	With violet spring 20 - 70 mbar	1	1
FGD40	009.0024.104	1.1/2"	With brown spring 65 - 130 mbar	1	1
FGD40	009.0024.106	1.1/2"	With white spring 120 - 160 mbar	1	1
FGD50	009.0025.101	2"	With neutral spring 10 - 30 mbar	1	1
FGD50	009.0025.102	2"	With green spring 5 - 15 mbar	1	1
FGD50	009.0025.103	2"	With violet spring 30 - 80 mbar	1	1
FGD50	009.0025.104	2"	With brown spring 70 - 160 mbar	1	1

Dimensions at the end of the section.

**FGDR**

Aluminium pressure regulator with built-in filter, to EN 88-1.

Maximum inlet pressure 500 mbar. Maximum outlet pressure 350 mbar.

Closure control. Suitable for manufactured gas, natural gas, liquefied petroleum gas (LPG), non-aggressive gas and air. Operating temperature range: -15÷60°C.



Type	Part Number	Connection	Description	Qty/ Box	Box/ carton
FGDR15	009.0220.101	1/2"	With neutral spring 10 - 30 mbar	1	1
FGDR15	009.0220.102	1/2"	With green spring 5 - 15 mbar	1	1
FGDR15	009.0220.103	1/2"	With violet spring 25 - 80 mbar	1	1
FGDR15	009.0220.104	1/2"	With brown spring 70 - 160 mbar	1	1
FGDR15	009.0220.105	1/2"	With blue spring 150 - 280 mbar	1	1
FGDR15	009.0220.106	1/2"	With white spring 270 - 350 mbar	1	1
FGDR20	009.0221.101	3/4"	With neutral spring 10 - 30 mbar	1	1
FGDR20	009.0221.102	3/4"	With green spring 5 - 15 mbar	1	1
FGDR20	009.0221.103	3/4"	With violet spring 25 - 80 mbar	1	1
FGDR20	009.0221.104	3/4"	With brown spring 70 - 160 mbar	1	1
FGDR20	009.0221.105	3/4"	With blue spring 150 - 280 mbar	1	1
FGDR20	009.0221.106	3/4"	With white spring 270 - 350 mbar	1	1
FGDR25	009.0222.101	1"	With neutral spring 10 - 30 mbar	1	1
FGDR25	009.0222.102	1"	With green spring 5 - 15 mbar	1	1
FGDR25	009.0222.103	1"	With violet spring 25 - 80 mbar	1	1
FGDR25	009.0222.104	1"	With brown spring 70 - 160 mbar	1	1
FGDR25	009.0222.105	1"	With blue spring 150 - 280 mbar	1	1
FGDR25	009.0222.106	1"	With white spring 270 - 350 mbar	1	1
FGDR32	009.0223.101	1.1/4"	With neutral spring 10 - 25 mbar	1	1
FGDR32	009.0223.102	1.1/4"	With green spring 5 - 15 mbar	1	1
FGDR32	009.0223.103	1.1/4"	With violet spring 20 - 70 mbar	1	1
FGDR32	009.0223.104	1.1/4"	With brown spring 65 - 130 mbar	1	1
FGDR32	009.0223.106	1.1/4"	With white spring 120 - 250 mbar	1	1
FGDR32	009.0223.107	1.1/4"	With black spring 240 - 350 mbar	1	1
FGDR40	009.0224.101	1.1/2"	With neutral spring 10 - 25 mbar	1	1
FGDR40	009.0224.102	1.1/2"	With green spring 5 - 15 mbar	1	1
FGDR40	009.0224.103	1.1/2"	With violet spring 20 - 70 mbar	1	1
FGDR40	009.0224.104	1.1/2"	With brown spring 65 - 130 mbar	1	1
FGDR40	009.0224.106	1.1/2"	With white spring 120 - 250 mbar	1	1
FGDR40	009.0224.107	1.1/2"	With black spring 240 - 350 mbar	1	1
FGDR50/40	009.0234.101	2"	With neutral spring 10 - 25 mbar	1	1
FGDR50/40	009.0234.102	2"	With green spring 5 - 15 mbar	1	1
FGDR50/40	009.0234.103	2"	With violet spring 20 - 70 mbar	1	1
FGDR50/40	009.0234.104	2"	With brown spring 65 - 130 mbar	1	1
FGDR50/40	009.0234.106	2"	With white spring 120 - 250 mbar	1	1
FGDR50/40	009.0234.107	2"	With black spring 240 - 350 mbar	1	1
FGDR50	009.0225.101	2"	With neutral spring 10 - 35 mbar	1	1
FGDR50	009.0225.102	2"	With green spring 5 - 15 mbar	1	1
FGDR50	009.0225.103	2"	With violet speing 30 - 80 mbar	1	1
FGDR50	009.0225.104	2"	With brown spring 70 - 220 mbar	1	1
FGDR50	009.0225.105	2"	With blue spring 210 - 350 mbar	1	1

Dimensions at the end of the section.

**FSDR**

Flanged aluminium pressure regulator with built-in filter, to EN 88-1. Maximum inlet pressure 500 mbar. Maximum outlet pressure 350 mbar. Closure control. Suitable for manufactured gas, natural gas, liquefied petroleum gas (LPG), non-aggressive gas and air. Operating temperature range: -10÷60°C.



Type	Part Number	Connection	Description	Qty/Box	Box/carton
FSDR65	009.0226.201	DN 65	With neutral spring 10-30 mbar	1	1
FSDR65	009.0226.203	DN 65	With red spring 25-80 mbar	1	1
FSDR65	009.0226.204	DN 65	With violet spring 60-120 mbar	1	1
FSDR65	009.0226.206	DN 65	With blue spring 100-220 mbar	1	1
FSDR65	009.0226.207	DN 65	With white spring 200- 350 mbar	1	1
FSDR80	009.0227.201	DN 80	With neutral spring 10-30 mbar	1	1
FSDR80	009.0227.203	DN 80	With red spring 25-80 mbar	1	1
FSDR80	009.0227.204	DN 80	With violet spring 60-120 mbar	1	1
FSDR80	009.0227.206	DN 80	With blue spring 100-220 mbar	1	1
FSDR80	009.0227.207	DN 80	With white spring 200- 350 mbar	1	1

Dimensions at the end of the section.

**STR**

Flanged aluminium pressure regulator to EN 88-1. Maximum inlet pressure 500 mbar. Maximum outlet pressure 350 mbar, 200 mbar for STR DN 125-150. Closure control. Suitable for manufactured gas, natural gas, liquefied petroleum gas (LPG), non-aggressive gas and air. Operating temperature range: -15÷60°C.



Type	Part Number	Connection	Description	Qty/Box	Box/carton
STR65	009.0240.201	DN 65	With neutral spring 10-30 mbar	1	1
STR80	009.0241.201	DN 80	With neutral spring 10-30 mbar	1	1
STR100	009.0242.201	DN 100	With neutral spring 10-40 mbar	1	1
STR125	009.0243.001	DN 125	With neutral spring 10-30 mbar	1	1
STR150	009.0244.001	DN 150	With neutral spring 10-30 mbar	1	1

Dimensions at the end of the section.

## PARTS KIT

	Part Number	Governors	Description	Qty/Box	Box/carton
3235	014.0500.001	FGD, FGDR, FG1B 15 - 20 - 25	Filter element + filter's cover gasket	1	1
3236	014.0501.001	FGD, FGDR, FG1B 32 - 40 - 50/40	Filter element + filter's cover gasket	1	1
3233	014.0153.001	FGD, FGDR, FG1B 50	Filter element + filter's cover gasket	1	1
3234	014.0155.001	FSDR, FS1B 65 - 80	Filter element + filter's cover gasket	1	1






## SPRINGS








Type	Part Number	Governors	Range and Colour	Qty/Box	Box/carton
504.0037.020	014.0504.001	FGD, FGDR 15 - 20 - 25	5-15 mbar - green	1	1
504.0031.020	014.0505.001	FGD, FGDR, FG1B 15 - 20 - 25	10-30 mbar - neutral	1	1
504.0032.020	014.0506.001	FGD, FGDR, FG1B 15 - 20 - 25	25-80 mbar - violet	1	1
504.0033.020	014.0507.001	FGD, FGDR, FG1B 15 - 20 - 25	70-160 mbar - brown	1	1
E816D	014.0220.001	FGD, FGDR 32 - 40 - 50/40	5-15 mbar - green	1	1
504.0016.020	014.0221.001	FGD, FGDR, FG1B 32 - 40 - 50/40	10-25 mbar - neutral	1	1
504.0017.020	014.0222.001	FGD, FGDR, FG1B 32 - 40 - 50/40	20-70 mbar - violet	1	1
E836D	014.0223.001	FGD, FGDR, FG1B 32 - 40 - 50/40	65-130 mbar - brown	1	1
504.0018.020	014.0225.001	FGD 32 - 40	120-160 mbar - white	1	1
E405	014.0241.001	FSDR, FS1B, STR, ST1B 65 - 80	10-30 mbar - neutral	1	1
E406	014.0242.001	FSDR, FS1B, STR, ST1B 65 - 80	25-80 mbar - red	1	1
E417D	014.0243.001	FSDR, FS1B, STR, ST1B 65 - 80	60-120 mbar - violet	1	1
E473	014.0245.001	FSDR, FS1B, STR, ST1B 65 - 80	100-220 mbar - blue	1	1
504.0021.020	014.0247.001	FSDR, STR 65 - 80	200-350 mbar - white	1	1
504.0021.020	014.0247.001	FS1B, ST1B 65 - 80	200-450 mbar - white	1	1
E466D	014.0251.001	STR, ST1B 100	10-40 mbar - neutral	1	1
E535	014.0252.001	STR, ST1B 100	30-70 mbar - red	1	1
E468	014.0253.001	STR, ST1B 100	60-110 mbar - violet	1	1
E475	014.0254.001	STR, ST1B 100	100-210 mbar - brown	1	1
504.0065.000	014.0256.001	STR 100	200-350 mbar - white	1	1
504.0050.000	014.0560.000	STR, ST1B 125/150	10-30 mbar - neutral	1	1
504.0053.000	014.0561.000	STR, ST1B 125/150	25-75 mbar - red	1	1
504.0051.000	014.0562.000	STR, ST1B 125/150	70-120 mbar - violet	1	1
504.0062.000	014.0563.000	STR, ST1B 125/150	110-170 mbar - brown	1	1
504.0064.000	014.0564.000	STR, ST1B 125/150	140-200 mbar - white	1	1



## SPRINGS







Type	Part Number	Governors	Description	Qty/Box	Box/carton
E836D	014.0223.001	ST4B, ST4B..BM 20 - 25 - 32 - 40	65-120 mbar - brown	1	1
E619d	014.0232.001	ST4B, ST4B..BM 50	25-70 mbar - violet	1	1
E631d	014.0233.001	ST4B, ST4B..BM 50	65-150 mbar - brown	1	1

**SPRING SELECTION GUIDE**

Model/Colour	FGD 15 - 20 - 25	FGD 32 - 40	FGD 50
GREEN 	5-15 mbar (014.0504.001)	5-15 mbar (014.0220.001)	5-15 mbar (014.0230.001)
NEUTRAL 	10-30 mbar (014.0505.001)	10-25 mbar (014.0221.001)	10-35 mbar (014.0231.001)
PURPLE 	25-80 mbar (014.0506.001)	20-70 mbar (014.0222.001)	30-80 mbar (014.0232.001)
BROWN 	70-160 mbar (014.0507.001)	65-130 mbar (014.0223.001)	70-160 mbar (014.0233.001)
WHITE 	/	120-160 mbar (014.0225.001)	/

Model/Colour	FGDR 15 - 20 - 25	FGDR 32 - 40 -50/40	FGDR 50
GREEN 	5-15 mbar (014.0504.001)	5-15 mbar (014.0220.001)	5-15 mbar (014.0230.001)
NEUTRAL 	10-30 mbar (014.0505.001)	10-25 mbar (014.0221.001)	10-35 mbar (014.0231.001)
PURPLE 	25-80 mbar (014.0506.001)	20-70 mbar (014.0222.001)	30-80 mbar (014.0232.001)
BROWN 	70-160 mbar (014.0507.001)	65-130 mbar (014.0223.001)	70-160 mbar (014.0233.001)
BLUE 	150-280 mbar (014.0508.001)	/	210-350 mbar (014.0234.001)
WHITE 	270-350 mbar (014.0509.001)	120-250 mbar (014.0225.001)	/
BLACK 	/	240-350 mbar (014.0520.001)	/

Model/Colour	FGDR/COM 15-20
RED 	20-55 mbar (014.0202.001)
BLUE 	50-200 mbar (014.0204.001)

Model/Colour	FSDR - STR 65 - 80	STR 100
NEUTRAL 	10-30 mbar (014.0241.001)	10-40 mbar (014.0251.001)
RED 	25-80 mbar (014.0242.001)	30-70 mbar (014.0252.001)
PURPLE 	60-120 mbar (014.0243.001)	60-110 mbar (014.0253.001)
BROWN 	/	100-210 mbar (014.0254.001)
BLUE 	100-220 mbar (014.0245.001)	/
WHITE 	200-350 mbar (014.0247.001)	200-350 mbar (014.0256.001)

## SLAM SHUT-OFF AND RELIEF VALVES

### MB

Aluminium maximum pressure shut-off valve to EN 88-2.

Maximum inlet pressure 1 bar. Suitable for manufactured gas, natural gas, liquefied petroleum gas (LPG), non-aggressive gas and air. Operating temperature range: -10÷60°C.



Type	Part Number	Connection	Description	Qty/ Box	Box/ carton
MB50	019.0006.001	2"	With neutral spring 80-550 mbar	1	1

Dimensions at the end of the section.

### MS

Aluminium relief valve. Maximum inlet pressure 6 bar. Suitable for manufactured gas, natural gas, liquefied petroleum gas (LPG), non-aggressive gas and air.

Operating temperature range: -10÷60°C.



Type	Part Number	Connection	Description	Qty/ Box	Box/ carton
MS20	002.0004.001	3/4"	With blue spring 80-550 mbar	1	1
MS25	002.0005.001	1"	With blue spring 80-550 mbar	1	1

Dimensions at the end of the section.

## SPRINGS

Type	Part Number	Relief valve	Range and colour	Qty/ Box	Box/ carton
E1211D	014.0212.001	MS	30-130 mbar - red	1	1

### MB/6B

Aluminium maximum pressure shut-off valve to EN 88-2. Maximum inlet pressure 6 bar. Suitable for manufactured gas, natural gas, liquefied petroleum gas (LPG), non-aggressive gas and air.

Operating temperature range: -10÷60°C.



Type	Part Number	Connection	Description	Qty/ Box	Box/ carton
MB50/6B	019.0026.001	2"	With neutral spring 80-550 mbar	1	1
MB65/6B	019.0027.101	DN65	With neutral spring 80-550 mbar	1	1
MB80/6B	019.0028.101	DN80	With neutral spring 80-550 mbar	1	1

Dimensions at the end of the section.

## SPRINGS

Type	Part Number	Shut-off valve	Range and colour	Qty/ Box	Box/ carton
E737	014.0204.001	MB, MB/6B	30-120 mbar - blue	1	1





**AIR/GAS RATIO CONTROL VALVES**

**GAVR**

Air/gas ratio control valve with max. inlet pressure of 200mbar. Maximum air inlet pressure 120mbar. Ratio 1:1. Adjustable minimum flow rate. Suitable for manufactured gas, natural gas, liquefied petroleum gas (LPG), non-aggressive gas and air. Operating temperature range: -10÷60°C.



Type	Part Number	Connection	Description	Qty/Box	Box/carton
GAVR15	020.0001.101	1/2"	outlet pressure 2-120 mbar	1	1
GAVR20	020.0002.101	3/4"	outlet pressure 2-120 mbar	1	1
GAVR25	020.0003.101	1"	outlet pressure 2-120 mbar	1	1
GAVR32	020.0004.101	1.1/4"	outlet pressure 2-120 mbar	1	1
GAVR40	020.0005.101	1.1/2"	outlet pressure 2-120 mbar	1	1
GAVR50	020.0006.101	2"	outlet pressure 2-120 mbar	1	1

Dimensions at the end of the section.

**VRGA**

Air/gas ratio control valve with maximum inlet pressure of 200mbar. Maximum air inlet pressure 120mbar. Ratio 1:1. Adjustable minimum flow rate. Suitable for manufactured gas, natural gas, liquefied petroleum gas (LPG), non-aggressive gas and air. Operating temperature range: -10÷60°C.



Type	Part Number	Connection	Description	Qty/Box	Box/carton
VRGA65	020.0007.101	DN65	outlet pressure 2-120 mbar	1	1
VRGA80	020.0008.101	DN80	outlet pressure 2-120 mbar	1	1
VRGA100	020.0009.001	DN100	outlet pressure 2-120 mbar	1	1

Dimensions at the end of the section.

**AUTOMATIC ON-OFF SOLENOID VALVES**

**GSAV-R**

Automatic ON-OFF normally closed class A gas solenoid valve with threaded connections. Quick opening and closing with adjustable flow rate. Aluminium body. Coil with IP65 connector (1/2"-3/4"-1"). Coil with IP54 electrical enclosure (1/4"1/2"-2"). Suitable for manufactured gas, natural gas, liquefied petroleum gas (LPG), non-aggressive gas and air. Operating temperature range: -20÷60°C.



Type	Part Number	Connection	Description	Qty/Box	Box/carton
GSAV20R	021.0011.001	3/4"	Voltage 230 Vac Max. Press. 0,5bar	1	1

Dimensions at the end of the section.

**GHAV**

Automatic ON-OFF normally closed class A gas solenoid valve with threaded connections. Actuated by IP54 electro-hydraulic actuator. Aluminium body. Suitable for manufactured gas, natural gas, liquefied petroleum gas (LPG), non-aggressive gas and air. Operating temperature range: -20÷60°C.



Type	Part Number	Connection	Description	Qty/Box	Box/carton
GHAV150	021.0104.001	DN150	Voltage 230 Vac Max. Press. 1bar	1	1

**PARTS KIT**

Type	Part Number	Valve	Description	Qty/Box	Box/carton
511.0219.001	014.0306.001	GSAV20/02B - GSAV25/02B	Coil RAC 230 Vac	1	1
511.0023.990	014.0280.001	GSAV15-20-25R, AMSV205-255R	Kit Connector RAC 230 Vac + LED	1	1

**SOLENOID VALVES WITH MANUAL RESETTING**

**EV**

Normally closed gas solenoid valve with manual resetting. Aluminium body. Coil with IP65 connector. Suitable for manufactured gas, natural gas, liquefied petroleum gas (LPG), non-aggressive gas and air. Operating temperature range: -20-60°C. Maximum operating pressure: 0.5 bar.

Type	Part Number	Connection	Description	Qty/Box	Box/carton
EV15	010.0180.001	1/2"	Voltage 230 Vac	1	1
EV40	010.0184.001	1.1/2"	Voltage 230 Vac	1	1
EV65	010.0186.101	DN65	Voltage 230 Vac	1	1

Dimensions at the end of the section.



**7**

**EV/6B**

Normally closed gas solenoid valve with manual resetting. Aluminium body. Coil with IP65 connector. Suitable for manufactured gas, natural gas, liquefied petroleum gas (LPG), non-aggressive gas and air. Operating temperature range: -20-60°C. Maximum operating pressure: 6 bar.

Type	Part Number	Connection	Description	Qty/Box	Box/carton
EV150/6B	010.0230.001	DN150	Voltage 230 Vac	1	1

Dimensions at the end of the section.



**EV/6BEEXD**

Normally closed gas solenoid valve with manual resetting. Aluminium body. Coil with IP67 connector. Suitable for manufactured gas, natural gas, liquefied petroleum gas (LPG), non-aggressive gas and air. Operating temperature range: -20÷60°C. Maximum operating pressure: 6 bar. Explosion-proof version with EExd coil.



Type	Part Number	Connection	Description	Qty/Box	Box/carton
EV150/6BEEXD	010.0430.001	DN150	Voltage 230 Vac	1	1

Dimensions at the end of the section.



**PARTS KIT**

Type	Part Number	Valve	Description	Qty/Box	Box/carton
511.0219.001	014.0306.001	MSV 125 - 150	Coil RAC 230 Vac	1	1

**GAS LEAK DETECTORS**

**GSX - GAS SENTINEL**

Surface wall-mounting electronic domestic gas leak detector with acoustic and illuminating alarm, for connection to one or more normally closed solenoid valves (GSAVR, GHAV, EV, EVO series) or normally open solenoid valves (MSV, MSVO series). White, wall-mounting version.

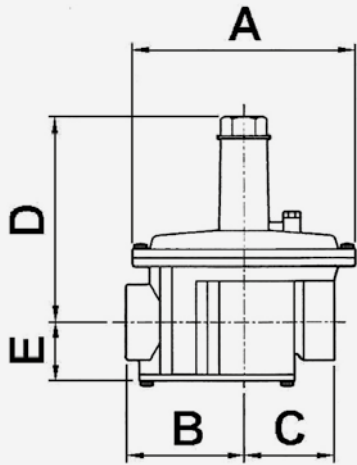


Type	Part Number	Description	Qty/Box	Box/carton
GSX	0941030	Detection of Methane and Natural gas	1	1
GSX	0941530	Detection of LPG, Propane and Butane	1	1

Dimensions at the end of the section.

**OVERALL DIMENSIONS**

**FG**



**TECHNICAL NOTE**

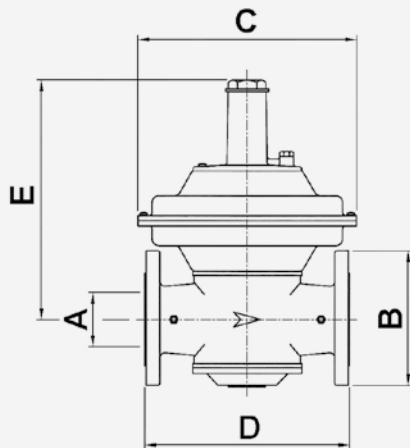
Measurement E must be increased by approximately 400 mm to facilitate filter cleaning and inspection.

FG.50/40: model with 2" threaded connections but with the overall dimensions of the 1 1/2" model (FG..40).

Model	Connections	A	B	C	D	E
FG..15	Rp 1/2" UNI-ISO 7/1					
FG..20	Rp 3/4" UNI-ISO 7/1	146	73	58	137	42
FG..25	Rp 1" UNI-ISO 7/1					
FG..32	Rp 1 1/4" UNI-ISO 7/1					
FG..40	Rp 1 1/2" UNI-ISO 7/1	194	98	80	175	52
FG..50/40	Rp 2" UNI-ISO 7/1					
FG..50	Rp 2" UNI-ISO 7/1	260	135	90	250	65



**FS1B - ST1B**



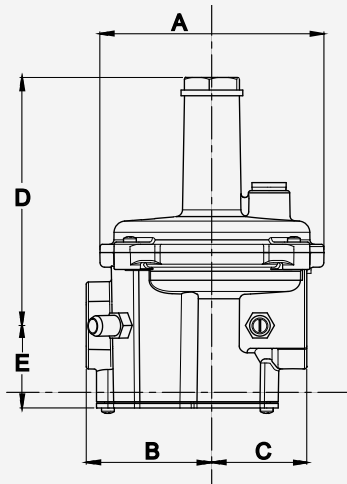
**TECHNICAL NOTE**

For the FS1B series (with built-in filter unit) the measurement "E" must be increased by approximately 400 mm to facilitate cleaning and inspection of the filter.

Model	Connections	A	B	C	D	E
FS1B65	DN 65 PN16 EN 1092-4	85	185	320	300	340
FS1B80	DN 80 PN16 EN 1092-4	85	200	320	300	340
ST1B65	DN 65 PN16 EN 1092-4	85	185	320	300	340
ST1B80	DN 80 PN16 EN 1092-4	85	200	320	300	340
ST1B100	DN100 PN16 EN 1092-4	100	220	370	360	410

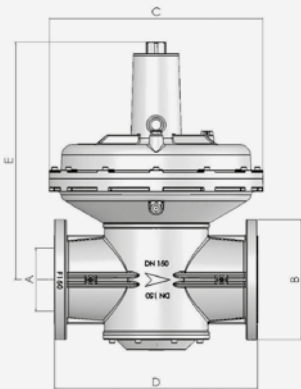
OVERALL DIMENSIONS

FGDR/COM



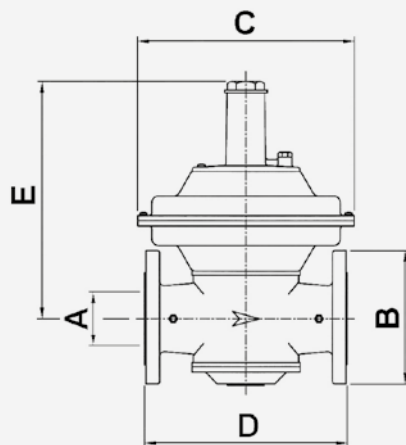
Model	Connections	A	B	C	D	E
FGDR/COM15	Rp 1/2" UNI ISO 7/1	98	55	41.5	108.5	35.5
FGDR/COM20	Rp 3/4" UNI ISO 7/1	98	55	41.5	108.5	35.5

STR - ST1B



Model	Connections	A	B	C	D	E
ST1B125-STR125	DN 125 PN16 EN 1092-4	125	250	505	480	565
ST1B150-STR150	DN 150 PN16 EN 1092-4	150	288	505	480	565

FSDR - STR



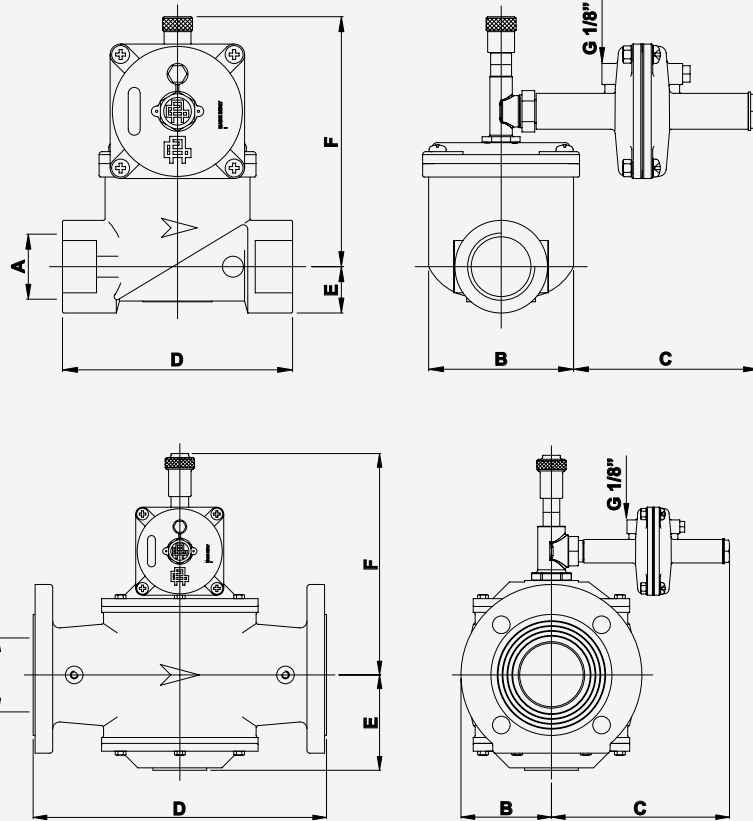
TECHNICAL NOTE

For the FSDR series (with built-in filter unit) measurement "E" must be increased by approximately 400 mm to facilitate filter cleaning and inspection.

Model	Connections	A	B	C	D	E
FSDR65	DN 65 Pn16 EN 1092-4	85	185	320	300	340
FSDR80	DN 80 Pn16 EN 1092-4	85	200	320	300	340
STR65	DN 65 Pn16 EN 1092-4	85	185	320	300	340
STR80	DN 80 Pn16 EN 1092-4	85	200	320	300	340
STR100	DN100 Pn16 En 1092-4	100	220	370	360	410

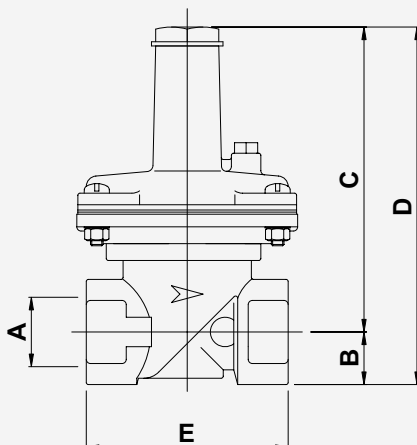
OVERALL DIMENSIONS

MB



Mod.	MB15	MB20	MB25	MB32	MB40	MB50	MB65	MB80	MB100	MB125	MB150
	MB15/6B	MB20/6B	MB25/6B	MB32/6B	MB40/6B	MB50/6B	MB65/6B	MB80/6B	MB100/6B	MB125/6B	MB150/6B
A	Rp 1/2"	Rp 3/4"	Rp 1"	Rp 1 1/4"	Rp 1 1/2"	Rp 2"	DN 65	DN 80	DN 100	DN 125	DN 150
B	25	35	35	52	52	64	93	100	110	125	142
C	175	175	175	175	175	175	197	197	197	180	180
D	76	96	96	154	154	173	300	300	360	480	480
E	15	25	25	31	31	39	100	100	105	170	170
F	120	140	140	170	170	170	230	230	230	370	370

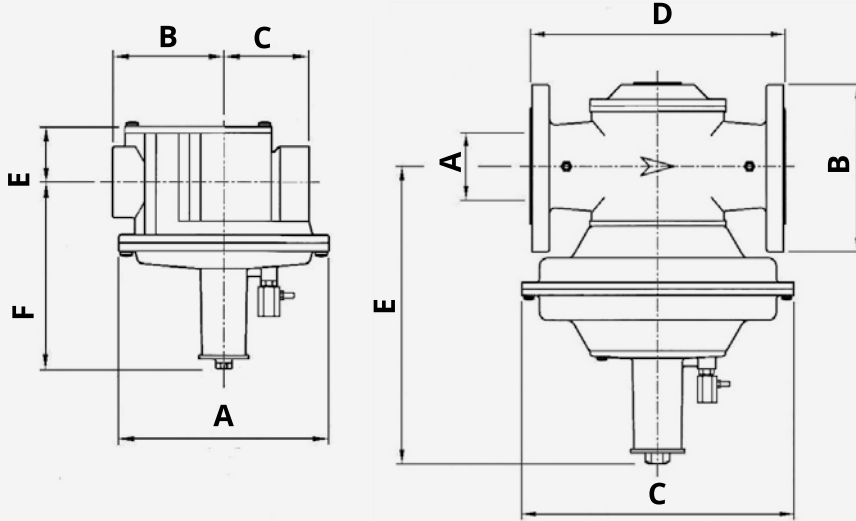
MS



Tipo	A	B	C	D	E
MS20	Rp 3/4"	25	145	170	96
MS25	Rp 1"	25	145	170	96

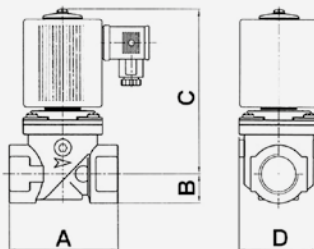
OVERALL DIMENSIONS

VRGA-GAVR



Model	Connections	A	B	C	D	E	F
GAVR 15	Rp 1/2" UNI ISO 7/1						
GAVR 20	Rp 3/4" UNI ISO 7/1	146	73	58	-	38	138
GAVR 25	Rp 1" UNI ISO 7/1						
GAVR 32	Rp 1"1/4 UNI ISO 7/1	194	98	80	-	52	179
GAVR 40	Rp 1"1/2 UNI ISO 7/1						
GAVR 50/40	Rp 2" UNI ISO 7/1	260	135	85	-	65	250
GAVR 50	Rp 2" UNI ISO 7/1						
VRGA 65	DN 65 PN 16	DN65	185	320	300	340	-
VRGA 80	DN 80 PN 16	DN80	200	320	300	340	-
VRGA 100	DN 100 PN 16	DN100	220	370	360	410	-

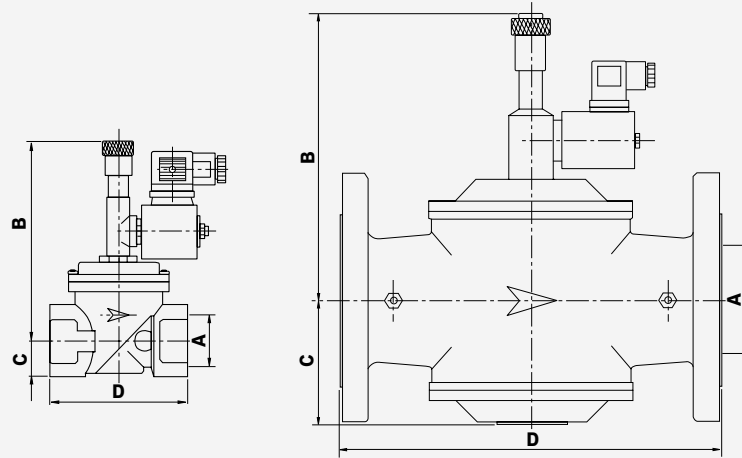
GSAV.R



Model	GSAV15R	GSAV20R	GSAV25R	GSAV32R	GSAV40R	GSAV50R
Connections	Rp 1/2"	Rp 3/4"	Rp 1"	Rp 1.1/4"	Rp 1.1/2"	Rp 2"
A	76	96	96	154	154	173
B	15	25	25	31	31	39
C	101	137	137	193	193	194
D	52	70	70	105	105	127

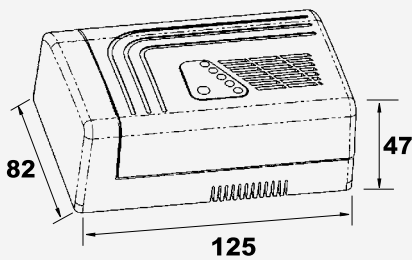
**OVERALL DIMENSIONS**

**EV - EV/6B**



Mod.	EV15 EV15/6B	EV20 - EV25 EV20/6B EV25/6B	EV32 - EV40 EV32/6B EV40/6B	EV50 EV50/6B	EV65 - EV80 EV65/6B EV80/6B	EV100 EV100/6B	EV125 - EV150 EV125/6B EV150/6B	EV200 EV200/6B	EV300 EV300/6B
A	Rp 1/2"	Rp 3/4"-1"	Rp 1.1/4"-Rp 1.1/2"	Rp 2"	DN 65-80	DN 100	DN 125-150	DN 200	DN 300
B	120	140	170	170	230	230	390	445	585
C	15	25	31	39	100	115	170	230	320
D	76	96	154	173	300	360	480	600	720

**GSX**

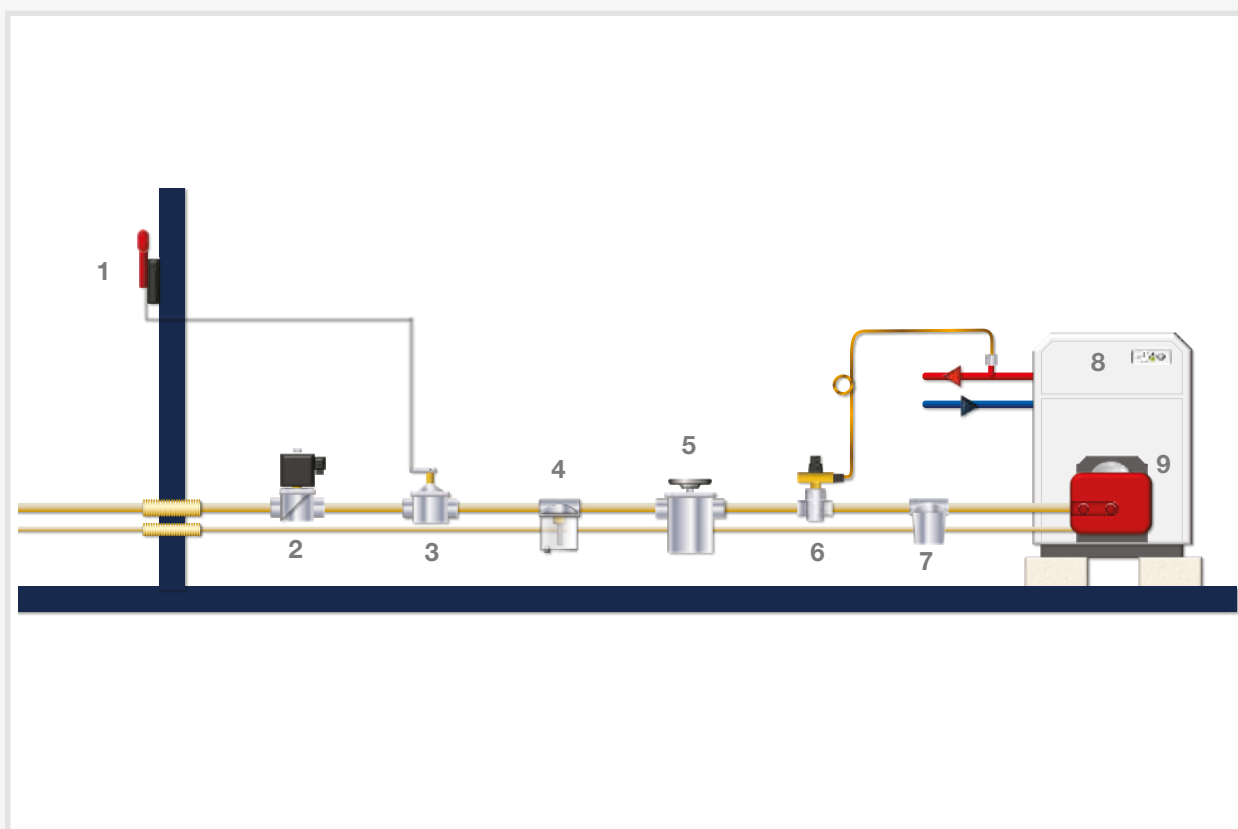




## Chapter 7.2

### Devices for diesel and fuel oil

#### ACCESSORIES FOR A LIQUID FUEL LINE



- |                                   |                        |
|-----------------------------------|------------------------|
| 1. Jerk-handle on/off valve lever | 6. Fuel shut-off valve |
| 2. Shut-off solenoid valve        | 7. Strainer filter     |
| 3. Jerk handle on/off valve       | 8. Boiler              |
| 4. Water separator filter         | 9. Burner              |
| 5. Self-cleaning filter           |                        |

**STRAINER FILTERS**

**SERIES 70450**

**70452A**

Strainer filter for diesel, fuel oil and air with aluminium cover and bowl.  
Maximum temperature: 90°C. PN 2. NBR gaskets. 1/4" threaded connections.

Type	Part Number	Cartridge	Filter	Qty/Box	Box/ Carton
70452/0015AP	001.0030.001	Paper filtering element	15 µ	50	50
70452/01AG	001.0030.005	Pleated stainless steel filtering element	100 µ	50	50

Other quantities available to order - Dimensions at the end of the section.



**70452P**

Strainer filter for diesel, fuel oil and air with aluminium cover and transparent plastic bowl.  
Maximum temperature: 50°C. PN 2. NBR gaskets. 1/4" threaded connections.

Type	Part Number	Cartridge	Filter	Qty/Box	Box/ Carton
70452/01PL	001.0031.006	Smooth stainless steel filtering element	100 µ	50	50

Other quantities available to order - Dimensions at the end of the section.



**70451A**

Strainer filter for diesel, fuel oil and air with aluminium cover and bowl.  
Maximum temperature: 90°C. PN 2. NBR gaskets. 3/8" threaded connections.

Type	Part Number	Cartridge	Filter	Qty/Box	Box/ Carton
70451/0015AP	001.0032.001	Paper filtering element	15 µ	50	50
70451/01AL	001.0032.006	Smooth stainless steel filtering element	100 µ	50	50

Other quantities available to order - Dimensions at the end of the section.



**70451P**

Strainer filter for diesel, fuel oil and air with aluminium cover and transparent plastic bowl.  
Maximum temperature: 50°C. PN 2. NBR gaskets. 3/8" threaded connections.

Type	Part Number	Cartridge	Filter	Qty/Box	Box/ Carton
70451/0015PP	001.0033.001	Paper filtering element	15 µ	50	50
70451/006PG	001.0033.003	Pleated stainless steel filtering element	60 µ	50	50

Other quantities available to order - Dimensions at the end of the section.



**ACCESSORIES**

Type	Part Number	Description	Note	Qty/Box	Box/ Carton
70410	014.0050.000	Bracket and screws	Filter Mod. 70450	1	1

**SERIES 70300**

**70301A**

Strainer filter for diesel, fuel oil and air with aluminium cover and bowl.  
Maximum temperature: 90°C. PN 2. NBR gaskets. 3/8" threaded connections.

Type	Part Number	Cartridge	Filter	Qty/Box	Box/ Carton
70301/006A	001.0052.003	Pleated stainless steel filtering element	60 µ	20	20

Other quantities available to order - Dimensions at the end of the section.



**70302A**

Strainer filter for diesel, fuel oil and air with aluminium cover and bowl.  
Maximum temperature: 90°C. PN 2. NBR gaskets. 1/2" threaded connections.

Type	Part Number	Cartridge	Filter	Qty/Box	Box/ Carton
70302/01A	001.0054.004	Pleated stainless steel filtering element	100 µ	20	20

Other quantities available to order - Dimensions at the end of the section.



**70302P**

Strainer filter for diesel, fuel oil and air with aluminium cover and transparent plastic bowl.  
Maximum temperature: 50°C. PN 2. NBR gaskets. 1/2" threaded connections.

Type	Part Number	Cartridge	Filter	Qty/Box	Box/ Carton
70302/006P	001.0055.003	Pleated stainless steel filtering element	60 µ	20	20
70302/01P	001.0055.004	Pleated stainless steel filtering element	100 µ	20	20

Other quantities available to order - Dimensions at the end of the section.



**ACCESSORIES**

Type	Part Number	Description	Note	Qty/Box	Box/ Carton
70358	014.0051.000	Bracket and screws	Filter Mod. 70370/RE	1	1

**SERIES 70310**

**70313P**

Strainer filter for diesel, fuel oil and air with aluminium cover and transparent plastic bowl.  
Maximum temperature: 50°C. PN 2. NBR gaskets. 1/4" threaded connections.

Type	Part Number	Cartridge	Filter	Qty/Box	Box/ Carton
70313/006P	001.0071.003	Pleated stainless steel filtering element	60 µ	10	10

Dimensions at the end of the section.



**70311A**

Strainer filter for diesel, fuel oil and air with aluminium cover and bowl.  
Maximum temperature: 90°C. PN 2. NBR gaskets. 3/8" threaded connections.

Type	Part Number	Cartridge	Filter	Qty/Box	Box/ Carton
70311/01A	001.0072.004	Pleated stainless steel filtering element	100 µ	10	10

Dimensions at the end of the section.



**70312A**

Strainer filter for diesel, fuel oil and air with aluminium cover and bowl.  
Maximum temperature: 90°C. PN 2. NBR gaskets. 1/2" threaded connections.

Type	Part Number	Cartridge	Filter	Qty/Box	Box/ Carton
70312/01A	001.0074.004	Pleated stainless steel filtering element	100 µ	10	10

Dimensions at the end of the section.



**70312P**

Strainer filter for diesel, fuel oil and air with aluminium cover and transparent plastic bowl.  
Maximum temperature: 50°C. PN 2. NBR gaskets. 1/2" threaded connections.

Type	Part Number	Cartridge	Filter	Qty/Box	Box/ Carton
70312/006P	001.0075.003	Pleated stainless steel filtering element	60 µ	10	10
70312/01P	001.0075.004	Pleated stainless steel filtering element	100 µ	10	10

Dimensions at the end of the section.



**ACCESSORIES**

Type	Part Number	Description	Note	Qty/Box	Box/ Carton
70358	014.0051.000	Bracket and screws	Filter Mod. 70300	1	1



**SERIES 70100**

**70107**

Strainer filter for diesel, fuel oil and air with aluminium cover and bowl. Maximum temperature: 90°C. PN 2. NBR gaskets. 1/2" threaded connections.

Type	Part Number	Cartridge	Filter	Qty/Box	Box/ Carton
70107/01	001.0110.003	Pleated stainless steel filtering element	100 µ	6	6

Dimensions at the end of the section.



**70104**

Strainer filter for diesel, fuel oil and air with aluminium cover and bowl. Maximum temperature: 90°C. PN 2. NBR gaskets. 3/4" threaded connections.

Type	Part Number	Cartridge	Filter	Qty/Box	Box/ Carton
70104/01	001.0112.003	Pleated stainless steel filtering element	100 µ	6	6

Dimensions at the end of the section.



**70101**

Strainer filter for diesel, fuel oil and air with aluminium cover and bowl. Maximum temperature: 90°C. PN 2. NBR gaskets. 1" threaded connections.

Type	Part Number	Cartridge	Filter	Qty/Box	Box/ Carton
70101/006	001.0111.002	Pleated stainless steel filtering element	60 µ	6	6
70101/01	001.0111.003	Pleated stainless steel filtering element	100 µ	6	6
70101/03	001.0111.004	Galvanized steel filtering element	300 µ	6	6

Dimensions at the end of the section.



**SERIES 70500**

**70501**

Strainer filter for diesel, fuel oil and air with aluminium cover and bowl. Maximum temperature: 90°C. PN 4. NBR gaskets. 1" threaded connections.

Type	Part Number	Cartridge	Filter	Qty/Box	Box/ Carton
70501/01	001.0140.003	Pleated stainless steel filtering element	100 µ	1	1
70501/03	001.0140.004	Galvanized steel filtering element	300 µ	1	1

Dimensions at the end of the section.



**70503**

Strainer filter for diesel, fuel oil and air with aluminium cover and bowl. Maximum temperature: 90°C. PN 4. NBR gaskets. 1.1/2" connections.

Type	Part Number	Cartridge	Filter	Qty/Box	Box/ Carton
70503/01	001.0142.003	Pleated stainless steel filtering element	100 μ	1	1
70503/03	001.0142.004	Galvanized steel filtering element	300 μ	1	1

Dimensions at the end of the section.



**70504**

Strainer filter for diesel, fuel oil and air with aluminium cover and bowl. Maximum temperature: 90°C. PN 4. NBR gaskets. 2" connections.

Type	Part Number	Cartridge	Filter	Qty/Box	Box/ Carton
70504/006	001.0143.002	Pleated stainless steel filtering element	60 μ	1	1

Dimensions at the end of the section.



**SERIES 70700**

**70700F**

Strainer filter for diesel, fuel oil and air with aluminium cover and bowl. Maximum temperature: 90°C. PN 4. NBR gaskets. DN50" flanged connections.

Type	Part Number	Cartridge	Filter	Qty/Box	Box/ Carton
70700/006F	001.0161.002	Pleated stainless steel filtering element	60 μ	1	1

Dimensions at the end of the section.



**SPECIAL FILTER**

**70370**

Water separator filter for diesel, fuel oil and air with aluminium cover and transparent bowl. Maximum temperature: 50°C. PN 2. NBR gaskets. 3/8" connections.

Type	Part Number	Cartridge	Filter	Qty/Box	Box/ Carton
70370/01	001.0080.003	Stainless steel filter element	100 μ	10	10

Dimensions at the end of the section.



ACCESSORIES

Type	Part Number	Description	Note	Qty/Box	Box/ Carton
70410	014.0050.000	Bracket and screws	Filter Mod. 70450	1	1
70358	014.0051.000	Bracket and screws	Filter Mod. 70310	1	1
1543	014.0052.000	Bracket and screws	Filter Mod. 70100	1	1
1604	014.0025.00	Electronic heater NL 300W set 70°C IP65	-	1	1

PARTS FOR STRAINER FILTERS

60450

Pleated cartridges for filters 70451 - 70452 - AL, AG, PL, PG, AGE, AP, PP. Pleated cartridge only for filter 70370.

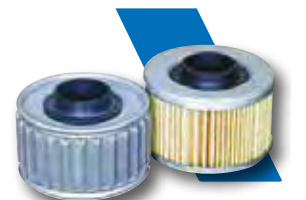
Type	Part Number	Description	Filter	Qty/Box	Box/ Carton
60450/006L	014.4032.001	Smooth stainless steel filtering element	60 μ	1	1
60450/01G	014.4031.003	Pleated stainless steel filtering element	100 μ	1	1
60450/01L	014.4032.002	Smooth stainless steel filtering element	100 μ	1	1



60300

Pleated cartridges for filters 70301- 70302- 70303- 70351- A, AP, P, PP. For filters 70371RE and 70372RE.

Type	Part Number	Description	Filter	Qty/Box	Box/ Carton
60300/0015P	014.4050.001	Paper filtering element	15 μ	1	1
60300/006	014.4051.002	Pleated stainless steel filtering element	60 μ	1	1
60300/01	014.4051.003	Pleated stainless steel filtering element	100 μ	1	1



60200

Pleated cartridges for filters 70311 - 70312- 70313- 70207- A, AP, P, PP.

Type	Part Number	Description	Filter	Qty/Box	Box/ Carton
60200/0015P	014.4070.001	Paper filtering element	15 μ	1	1
60200/01	014.4071.003	Pleated stainless steel filtering element	100 μ	1	1



**60100**

Pleated cartridges for filters 70101 - 70104 - 70107.

Type	Part Number	Description	Filter	Qty/Box	Box/ Carton
60100/006	014.4110.002	Pleated stainless steel filtering element	60 μ	1	1
60100/01	014.4110.003	Pleated stainless steel filtering element	100 μ	1	1
60100/03	014.4110.004	Galvanized steel filtering element	300 μ	1	1



**60500**

Pleated cartridges for filters 70501 - 70502 - 70503 - GL, NL, M, GLM, NLM.

Type	Part Number	Description	Filter	Qty/Box	Box/ Carton
60500/006	014.4140.002	Pleated stainless steel filtering element	60 μ	1	1
60500/01	014.4140.003	Pleated stainless steel filtering element	100 μ	1	1



**60700**

Pleated cartridges for filters 70700.

Type	Part Number	Description	Filter	Qty/Box	Box/ Carton
60700/01	014.4160.003	Pleated stainless steel filtering element	100 μ	1	1



**7**

**SS**

Replacement cartridge for filters RG2, RV2-RV1-RZ-V1.

Type	Part Number	Description	Filter	Qty/Box	Box/ Carton
SS	0199016	Smooth filter element for RV2-RV1-RZ-V1	200 μ	1	10





**GASKET KIT**

Type	Part Number	Filter	Cartridge	Qty/Box	Box/ Carton
3198	014.0065.002	70450	Smooth and Paper NBR	1	1
3198V	014.0065.005	70450	Smooth VITON	1	1
3204V	014.0066.002	70300	Pleated. VITON	1	1
3203	014.0067.001	70310	Paper pleated. NBR	1	1
3207V	014.0070.002	70100	Pleated. VITON	1	1
3197	014.0074.001	70500	Pleated. NBR	1	1
3197V	014.0074.002	70500	Pleated. VITON	1	1

**BOWL KIT**

Type	Part Number	Filter	Note	Qty/Box	Box/ Carton
C70301	014.0352.000	70301 - 70311	-	1	1

**COVER KIT**

Type	Part Number	Filter	Note	Qty/Box	Box/ Carton
B70450P	014.0400.000	70450P	-	1	1

**SELF-CLEANING FILTERS**

**21008**

Self-cleaning filter for diesel and fuel oil with aluminium cover and bowl. PN 4. 1"x1" threaded connections.

Type	Part Number	Filter	Qty/Box	Box/ Carton
21008/01	003.0043.001	100 µ	1	1
21008/03	003.0043.002	300 µ	1	1
21008/06	003.0043.003	600 µ	1	1

Dimensions at the end of the section.



**31008**

Self-cleaning filter for diesel and fuel oil with aluminium cover and bowl. PN 4. 1"x1" threaded connections.

Type	Part Number	Filter	Qty/Box	Box/ Carton
31008/01	003.0051.001	100 µ	1	1

Dimensions at the end of the section.



**PARTS AND ACCESSORIES**

Type	Part Number	Description	Qty/ Box	Box/ Carton
1604	014.0025.000	Electronic heater NL 300W 70°C IP65	1	1

**51000**

Self-cleaning filter for diesel and fuel oil with aluminium cover and bowl. PN 4. 2"x2" threaded connections.

Type	Part Number	Filter	Qty/Box	Box/Carton
51000/075	003.0070.003	750 µ	1	1

Dimensions at the end of the section.


**51000F**

Self-cleaning filter for diesel and fuel oil with aluminium cover and bowl. PN 4. DN50 flanged connections.

Type	Part Number	Filter	Qty/Box	Box/Carton
51000/05F	003.0071.002	500 µ	1	1

Dimensions at the end of the section.


**HIGH-PRESSURE SELF-CLEANING FILTERS**
**45000**

High-pressure self-cleaning filter for diesel and fuel oil with aluminium cover and bowl. PN 15. 1.1/2"x1.1/2" threaded connections.

Type	Part Number	Filter	Qty/Box	Box/Carton
45000/03	003.0090.002	300 µ	1	1
45000/06	003.0090.003	600 µ	1	1

Dimensions at the end of the section.


**31008/RE**

Heated self-cleaning filter for diesel and fuel oil with aluminium cover and bowl. PN 4. 1"x1" threaded connections.

Type	Part Number	Filter	Qty/Box	Box/Carton
31008/01RE	003.0051.004	100 µ	1	1

Dimensions at the end of the section.



**PARTS AND ACCESSORIES**

Type	Part Number	Description	Qty/ Box	Box/ Carton
1328	015.0040.001	Electric motor 230 V. 50-60 Hz. for type 21000 - 31000	1	1

**41000NL**

Heated self-cleaning filter for diesel and fuel oil with aluminium cover and bowl. PN 4. 1.1/2"x1.1/2" threaded connections.

Type	Part Number	Filter	Qty/Box	Box/Carton
41000/03NL	003.0060.008	300 µ	1	1

Dimensions at the end of the section.



**PARTS FOR STRAINER FILTERS**

**U41000**

Part for self-cleaning filter, comprising cover and filter element.

Type	Part Number	Type - Filter	Qty/ Box	Box/ Carton
U41000/03	004.0060.002	41000/41000RB/41000NL - 300 µ	1	1



**U45000**

Part for self-cleaning filter, comprising cover and filter element.

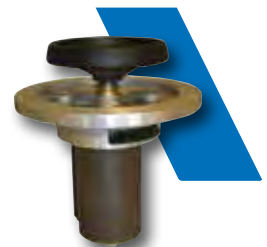
Type	Part Number	Type - Filter	Qty/Box	Box/Carton
U45000/03	004.0080.002	45000 - 300 µ	1	1
U45000/06	004.0080.003	45000 - 600 µ	1	1



**U51000**

Part for self-cleaning filter, comprising cover and filter element.

Type	Part Number	Type - Filter	Qty/ Box	Box/ Carton
U51000/05	004.0070.002	51000/51000RB/51000NL/51000F/ 51000FRB/51000FNL - 500 µ	1	1



**SYSTEM COMPONENTS**
**M10M15**

Normally closed (NC) solenoid valve for automatic diesel shut-off in burner fuel lines. For diesel and fuel oil applications with threaded filters. Brass body. Protection rating: IP65. Ambient temperature: -5÷60°C. PN 4.

Type	Part Number	Connection - Voltage	Qty/Box	Box/Carton
M10M15	0150215	1/2" - Voltage 230 Vac	1	25

Dimensions at the end of the section.


**LEVEL INDICATORS, PROBES AND ACCESSORIES**
**TLM - TELEVAR**

Universal remote pneumatic level indicator. For tanks of any shape and height between 900 and 3000 mm (item 103) and between 3000 and 5000 mm (item 105). Standard dial in percentage volume for cylindrical tanks. Tank connection suitable for pipe with external diameter of 6mm. Case with 3 external mounting slots.

Type	Part Number	Description	Qty/Box	Box/Carton
TLM	0101103	Tank height max 3m	1	10
TLM	0101105	Tank height da 3 a 5m	1	10

Dimensions at the end of the section.


**PE50**

Polythene hose for connecting TELEVAR remote indicator to G20 Series diesel probe. Hose Ø 4x6 mm. Roll length: 50 metres.

Type	Part Number	Description	Qty/Box	Box/Carton
PE50	0105150	Roll 50m	50	1


**G20**

Diesel probe. Fitted on tank for connection to TELEVAR remote indicator. 1" metal fitting with connection for 6 mm hose (external Ø). Perbunan pick-up tube with bottom spacer.

Type	Part Number	Connection - Length	Qty/Box	Box/Carton
G20	0104130	1" - 320cm	1	5
G20	0104150	1" - 520cm	1	5



**MECAV**

Universal mechanical level indicator with vertical reading, complete with seal for tight tank connection. Set by means of external screw. High-impact plastic case and cover. Measuring range: 0-2000 mm.

Type	Part Number	Connection	Qty/Box	Box/Carton
MECAV	0103100	1.1/2"	1	20

Dimensions at the end of the section.



**MECAH**

Universal mechanical level indicator with horizontal reading, complete with seal for tight tank connection. Set by means of external screw. High-impact plastic case and cover. Measuring range: 0-2000 mm.

Type	Part Number	Connection	Qty/Box	Box/Carton
MECAH	0103200	1.1/2"	1	20

Dimensions at the end of the section.



**VRU**

Check valve for diesel lines, complete with kit of fittings for connection to Ø 6x8, 8x10 and 10x12 mm pipes. CW617N brass body. Pressure drop at 50 l/h: 11 mbar. Pressure drop at 100 l/h: 18 mbar.

Type	Part Number	Connection	Qty/Box	Box/ Carton
VRU	0120140	3/8" F	1	50



**DIESEL SAFETY**

**CTS**

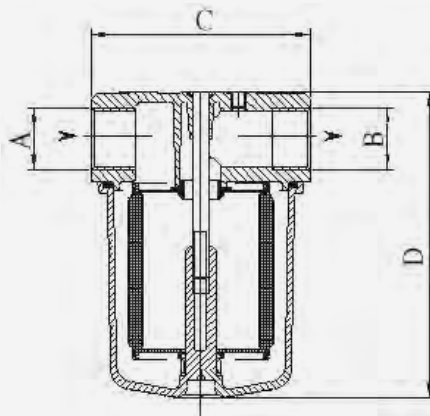
Cap for tank vent pipe, without thread, with fixed spacers for adaptation to press-fit pipes, with fastening screws. High-impact plastic body, metal mesh.

Type	Part Number	Connection	Qty/Box	Box/Carton
CTS	0160140	1.1/2" - 2"	10	10



**OVERALL DIMENSIONS**

**70450A - 70450P**



Note:  
measurement "D" in the table is divided  
for versions with aluminium bowl (Al.) and  
versions with transparent bowl (Pl.).

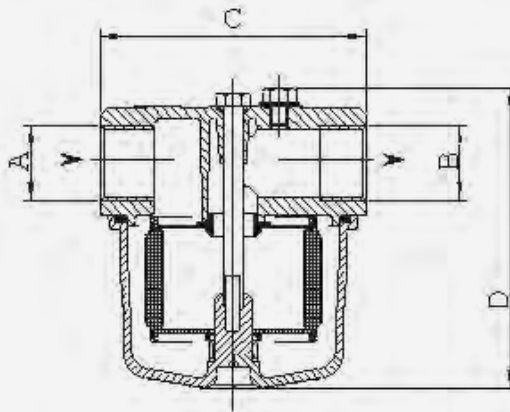
Item	Dimensions						Filtration rating	Filtration area cm <sup>2</sup>		
	A	B	C	D Al.	D Pl.	E		P	G	L
70451 *	Rp 3/8"	Rp 3/8"	61	75	75	-	15 ***	190	50	28
70452 *	Rp 1/4"	Rp 1/4"	61	75	75	-	60 - 100			

\* These models are available with transparent bowl  
\*\* Standard filtration rating (other ratings available to order)  
P - \*\*\*: paper filter

G: pleated steel cartridge  
L: smooth steel cartridge



**70300A - 70300P**



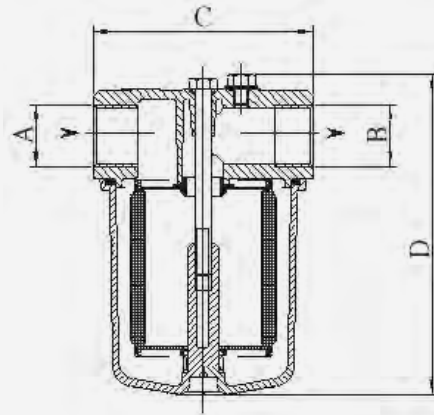
Note:  
measurement "D" in the table is divided  
for versions with aluminium bowl (Al.) and  
versions with transparent bowl (Pl.).

Item	Dimensions						Filtration rating	Filtration area cm <sup>2</sup>		
	A	B	C	D Al.	D Pl.	E		P	G	L
70301 *	Rp 3/8"	Rp 3/8"	81	85	89	-	15 *** 60 - 100	360	85	-
70302 *	Rp 1/2"	Rp 1/2"	81	85	89	-				
70303 *	Rp 1/4"	Rp 1/4"	81	85	89	-				

\* These models are available with transparent bowl  
\*\* Standard filtration rating (other ratings available to order)  
P - \*\*\*: paper filter  
G: pleated steel cartridge

OVERALL DIMENSIONS

70310A - 70310P

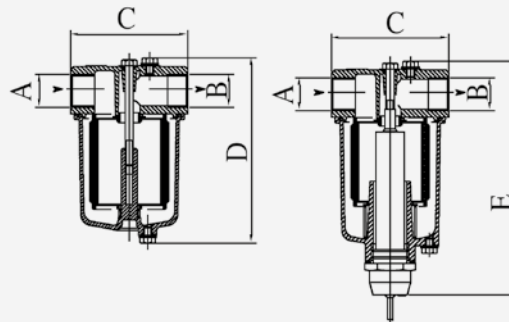


Note:  
measurement "D" in the table is divided  
for versions with aluminium bowl (Al.)  
and versions with transparent bowl (Pl.).

Item	Dimensions						Filtration rating	Filtration area cm <sup>2</sup>		
	A	B	C	D	D	E		P	G	L
	A - B: UNI-ISO 7/1 threads C - D - E: dimensions in mm									
				Al.	Pl.					
70311 *	Rp 3/8"	Rp 3/8"	81	117	140	-	15 *** 60 - 100 - 300	750	185	-
70312 *	Rp 1/2"	Rp 1/2"	81	117	140	-				
70313 *	Rp 1/4"	Rp 1/4"	81	117	140	-				

\* These models are available with transparent bowl  
\*\* Standard filtration rating (other ratings available to order)  
P - \*\*\*: paper filter  
G: pleated steel cartridge

70100 - 70150

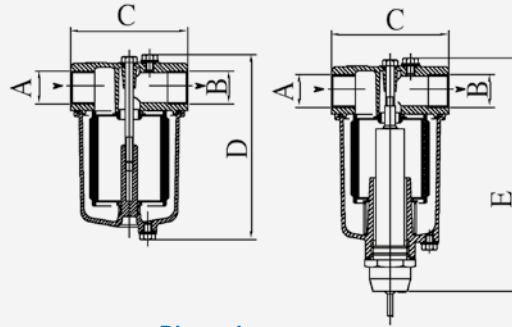


Item	Dimensions						Filtration rating	Filtration area cm <sup>2</sup>		
	A	B	C	D	D	E		P	G	L
	A - B: UNI-ISO 7/1 threads C - D - E: dimensions in mm									
				Al.	Pl.					
70101	Rp 1"	Rp 1"	120	175	N/A	-	60 100 - 300	-	330	-
70104	Rp 3/4"	Rp 3/4"	120	175	N/A	-				
70107	Rp 1/2"	Rp 1/2"	120	175	N/A	-				
70151 NL/GL	Rp 1"	Rp 1"	120	-	N/A	235				
70154 NL/GL	Rp 3/4"	Rp 3/4"	120	-	N/A	235				
70157 NL/GL	Rp 1/2"	Rp 1/2"	120	-	N/A	235				
70151 M	Rp 1"	Rp 1"	120	-	N/A	205				
70154 M	Rp 3/4"	Rp 3/4"	120	-	N/A	205				
70157 M	Rp 1/2"	Rp 1/2"	120	-	N/A	205				

\*\* Standard filtration rating (other ratings available to order)  
P - \*\*\*: paper filter  
G: pleated steel cartridge

**OVERALL DIMENSIONS**

**70500**

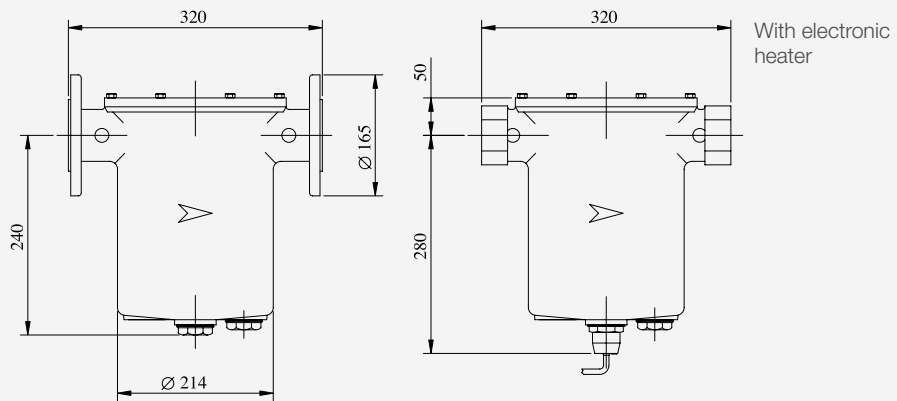


Item	Dimensions						Filtration rating	Filtration area cm <sup>2</sup>		
	A	B	C	D Al.	D Pl.	E		P	G	L
70501	Rp 1"	Rp 1"	190	255	N/A	-	60 100 - 300	-	820	-
70502	Rp 1.1/4"	Rp 1.1/4"	190	255	N/A	-				
70503	Rp 1.1/2"	Rp 1.1/2"	190	255	N/A	-				
70504	Rp 2"	Rp 2"	182	275	N/A	-				
70501 NL/GL/M/NLM/GLM	Rp 1"	Rp 1"	190	-	N/A	300				
70502 NL/GL/M/NLM/GLM	Rp 1.1/4"	Rp 1.1/4"	190	-	N/A	300				
70503 NL/GL/M/NLM/GLM	Rp 1.1/2"	Rp 1.1/2"	190	-	N/A	300				
70504 NL/GL/M/NLM/GLM	Rp 2"	Rp 2"	182	-	N/A	220				

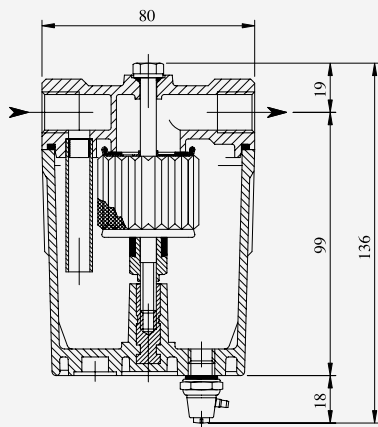
\*\* Standard filtration rating (other ratings available to order).  
G: pleated steel cartridge.



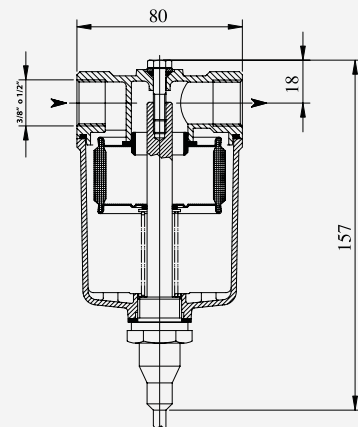
**70700F**



**70370**



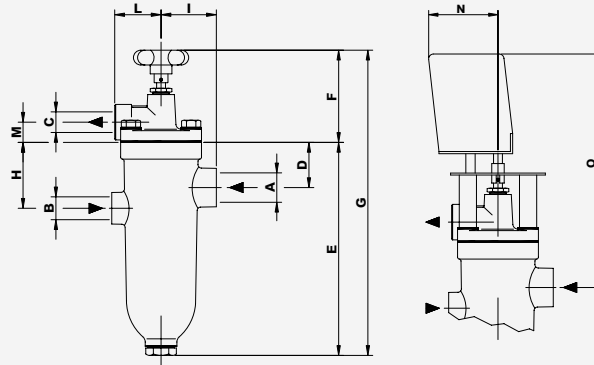
**70370RE**





OVERALL DIMENSIONS

21000 - 31000



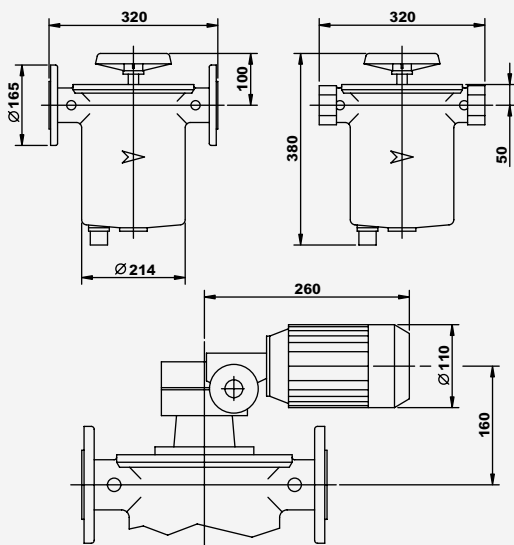
CONNECTIONS

- A - inlet
- B - return
- C - outlet

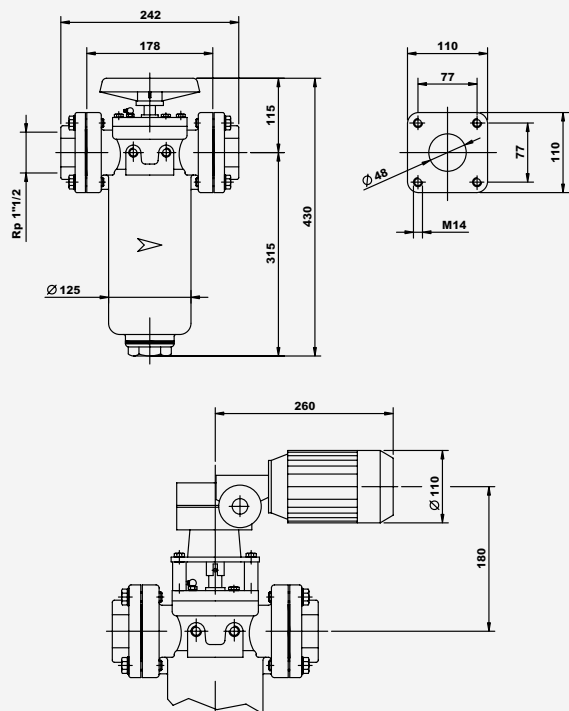
With electric motor.

Type	A	B	C	D	E	F	G	H	I	L	M	N	O
21003	Rp 1"	Rp 1/2"	Rp 1"										
21005	Rp 1/2"	-	Rp 1/2"	28	185	92	277	46	55	60	24	85	255
21008	Rp 1"	-	Rp 1"										
31003	Rp 1"	Rp 1/2"	Rp 1"	28	273	92	365	46	55	60	24	85	255
31008	Rp 1"	-	Rp 1"										

51000



45000



**OVERALL DIMENSIONS**

