

# Chapter 6

Valves and  
accessories for  
radiators

## TRV Thermostatic valve



Easy to pre-set  
Quick to install  
Suitable for reverse flow operation

**WATTS**<sup>®</sup>

## Chapter 6

# Valves and accessories for radiators

### RIGHT-ANGLE THERMOSTAT-ADAPTABLE VALVES AND LOCKSHIELDS WITH IRON CONNECTION - EN215

#### 178UM

Nickel-plated thermostat-adaptable valve. Right-angle body. Connection for iron pipe. Straight tailpiece with O-ring. ABS handwheel with moving stem. Compatible with 148 and 148A series thermostatic actuators, BT-TH02 RF series electronic thermostatic actuators and 22C, 22CX, 22CX5 and 26LC series electrothermal actuators. **Keymark certified.**

Part Number	DN Body	DN Pipe	Kvs	Qty/Box	Box/Carton
178UMSN38	3/8"	3/8"	2,1	10	100

Dimensions at the end of the section.



#### 130UM

Nickel-plated body. Right-angle thermostatic valve with easy-to-remove protection cap for installation with 148 and 148A Series thermostatic actuators, BT-TH02 RF series electronic thermostatic actuators and 22C, 22CX, 22CX5 and 26LC Series electrothermal actuators. Connection for iron pipe. Straight tailpiece with O-Ring. Nine-position pre-setting device. **Keymark certified.**

Part Number	DN Body	DN Pipe	Kvs	Qty/Box	Box/Carton
130UMSN38	3/8"	3/8"	2,1	10	100
130UMSN12	1/2"	1/2"	2,6	10	100
130UMSN34	3/4"	3/4"	3,3	10	50

Dimensions at the end of the section.



#### 130SN

Nickel-plated body. Right-angle thermostatic valve with easy-to-remove protection cap for installation with 148 and 148A Series thermostatic actuators, BT-TH02 RF Series electronic thermostatic actuators and 22C, 22CX, 22CX5 and 26LC Series electrothermal actuators. Nine-position pre-setting device. Connection for iron pipe. Knurled tapered tailpiece to facilitate sealing with hemp. Compatible with RV178 handwheel for thermostat-adaptable valves.

Part Number	DN Body	DN Pipe	Kvs	Qty/Box	Box/Carton
130SN1	1"	1"	3,3	1	100
130SN12	1/2"	1/2"	2.6	1	100

Dimensions at the end of the section.



**195UM**

Nickel-plated micrometric lockshield. Right-angle body. Connection for iron pipe. Straight tailpiece with O-Ring. ABS cap.

Part Number	DN Body	DN Pipe	Kvs	Q.ty/Box	Box/Carton
195UMSN38	3/8"	3/8"	1,9	10	100
195UMSN12	1/2"	1/2"	2,1	10	100
195UMSN34	3/4"	3/4"	5,0	10	50

Dimensions at the end of the section.

**195S**

Nickel-plated micrometric lockshield. Right-angle body. Connection for iron pipe. Knurled tapered tailpiece to facilitate sealing with hemp. ABS cap.

Part Number	DN Body	DN Pipe	Kvs	Qty/Box	Box/Carton
195SN1	1"	1"	8,9	1	5

Dimensions at the end of the section.

**131UM**

Nickel-plated thermostatic valve with easy-to-remove protection cap for installation with 148 and 148A Series thermostatic actuators, BT-TH02 RF Series electronic thermostatic actuators and 22C, 22CX, 22CX5 and 26LC Series electrothermal actuators. Straight body. Connection for iron pipe. Straight tailpiece with O-Ring. Nine-position pre-setting device. **Keymark certified.**

Part Number	DN Body	DN Pipe	Kvs	Qty/Box	Box/Carton
131UMSN12	1/2"	1/2"	1,8	10	100
131UMSN34	3/4"	3/4"	2,6	10	50

Dimensions at the end of the section.

**196UM**

Nickel-plated micrometric lockshield. Straight body. Connection for iron pipe. Straight tailpiece with O-Ring. ABS cap.

Part Number	DN Body	DN Pipe	Kvs	Qty/Box	Box/Carton
196UMSN12	1/2"	1/2"	1,7	10	100
196UMSN34	3/4"	3/4"	3,5	10	50

Dimensions at the end of the section.

**4-WAY THERMOSTAT-ADAPTABLE VALVES FOR SINGLE-PIPE AND TWO-PIPE SYSTEMS****102M**

4-way nickel-plated thermostat-adaptable valve with nine-position pre-setting device for single-pipe systems with fixed bypass. Equipped with pre-setting device. Built-in lockshield. Connection for copper or plastic pipe. O-Ring-sealed straight tailpiece complete with flow separation probe. ABS handwheel. Differential pressure (148 and 148A): 1.5 bar.

K<sub>vn</sub> with 2K proportional band:

- DN 1/2" = 1.76

- DN 3/4" = 1.84

Flow rate to heater: 50%

Compatible with 148 and 148A Series thermostatic actuators, BT-TH02 RF Series electronic thermostatic actuators and 22C, 22CX, 22CX5 and 26LC Series electrothermal actuators.

Part Number	DN Body	DN Pipe	Kvs	Qty/Box	Box/Carton
102M12AM12	1/2"	1/2"	2	1	50
102M12AM34	3/4"	1/2"	2,15	1	50

Dimensions at the end of the section.



**TECHNICAL NOTE- Selection guide for single-fill valves**

The 4-way valves incorporate, in just one piece, the different valve and lockshield functions. For the thermostat function, connect the delivery port to the connection under the head.

**For two-pipe systems**

Valves 120B Series (without by-pass) allow building two-pipe heating systems where, for reasons of style or installation, it is preferable to keep just one connection point (at the bottom) to the radiator with consequent less masonry work and quicker installation.

**For one-pipe systems**

Valves 102M Series allow distribution of the water flow calculated for the entire ring into a part reserved for the heat exchange and into a part leading towards the next radiator. The permanently open by-pass allows constant recirculation of the heat carrier fluid when the valve is closed.



**THERMOSTATIC ACTUATORS**

**148**

Thermostatic actuator with oil-filled sensitive element. Temperature limiting and locking device. ABS handwheel. Anti-freeze position: 8°C.

**UNI EN 215 certified with Valves 130,178,179,188 Series.**

**TELL certification, class A (with 130D valve).**



Part Number	Max pressure	Graduated scale	Regulation	Qty/Box	Box/ Carton
148	1,5 bar	0-5	0-28°C	1	100

Dimensions at the end of the section.

**148SD**

Thermostatic actuator with remote sensor. Temperature limiting and locking device. ABS handwheel. Capillary length 2 metres. Anti-freeze position: 8°C. TRV-G for Valves TRV Series included in the seal pack.

Part Number	Max pressure	Graduated scale	Regulation	Qty/Box	Box/ Carton
148SD	1,5 bar	0-5	0-28°C	1	60

Dimensions at the end of the section.



**148GA**

Tamper-proof cover for 148 and 148A Series thermostatic actuators.

Provision for limiting and locking temperature range on rivettable closing position. Complete with standard fixing screws and break-stem rivets.

Part Number	Qty/Box	Box/ Carton
148GA	1	100

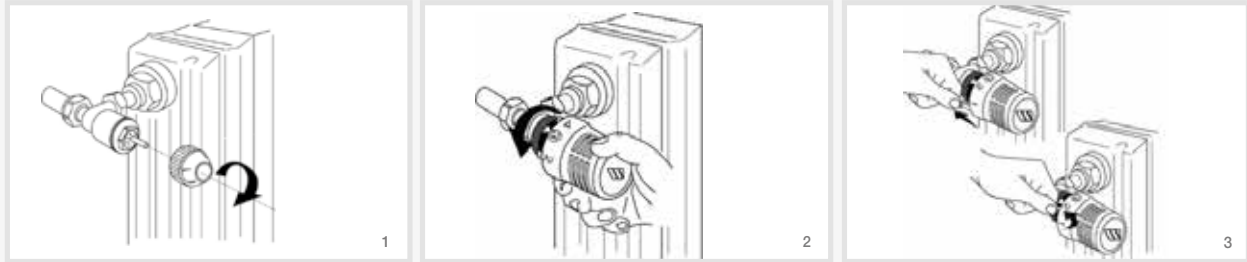
Dimensions at the end of the section.



**TECHNICAL NOTE - Concise instructions on the use of thermostatic valves**

Thermostat-adaptable valves can be connected to thermostatic actuators (148 and 148A series) in a single, simple step, and thus converted into thermostatic valves with the system still running.

- 1) Remove the manual handwheel (Fig. 1)
  - 2) Turn the thermostatic actuator to the fully open position (position 5)
  - 3) Approach the actuator to the valve body with the reference pointer clearly visible, then screw the nickel-plated ring-nut fully home (Fig. 2)
- Avoid positioning the actuator vertically; use the two setting blocks and position them to coincide with the required min./max. values (Fig. 3).



0	8 °C Anti-freeze	1	2	3	4	5
Closed		12 °C	16 °C	20 °C	24 °C	28 °C

**Radial slots**  
high sensitivity in room temperature measurement

**Adjustment riders:**  
Provision for adjusting or locking the pre-set temperature range

**5 temperature levels**  
Quick and easy setting of the required temperature

**Threaded ring-nut**  
Practical and quick in installation operations

To find out which Watts thermostat-adaptable valves are UNI EN 215 approved, go to [www.wattswater.eu](http://www.wattswater.eu), where you will find all the information you need.

**EFFICIENCY AND ENERGY SAVING**

**MANUAL VALVES AND LOCKSHIELDS**

**193R**

Nickel-plated micrometric lockshield. Right-angle body. Soft-seal disc. Connection for iron pipe. Knurled tapered tailpiece to facilitate sealing with hemp. Nickel-plated brass cap.

Part Number	DN	DN Pipe	Kvs	Qty/Box	Box/Carton
193SN12R	1/2"	1/2"	1,9	1	80



Dimensions at the end of the section.

PARTS FOR VALVES

**234**

Straight tailpiece with nickel-plated nut for UM Series valves and lockshields with soft seal on radiator side and valve side.

Part Number	DN	Qty/ Box	Box/ Carton
234SN12	1/2" MF	10	150



**RP-30**

Disc unit for 822M Series (model 130) thermostatic valves, thermostat-adaptable valves and manifolds, TRV Series non-pre-set valves (model RP320) and TRV Series pre-set valves (RP330).

Part Number	DN	Qty/ Box	Box/ Carton
RP130	M22 x 1,5	10	100



**RV119**

Handwheel for 119SX Series single-pipe valves.

Part Number	DN	Qty/ Box	Box/ Carton
RV119B	Standard	10	100



**RV178**

White handwheel for 178UM-179UM-1178UM-1179UM,120B, 102M Series thermostat-adaptable valves.

Part Number	DN	Qty/ Box	Box/ Carton
RV178	Standard	10	100



**RV188 - RVTRV**

White handwheel for 188UM-189UM-1188UM-1189UM Series (model RV188) thermostat-adaptable valves and TRV Series valves (model RVTRV).

Part Number	DN	Qty/ Box	Box/ Carton
RV188-189W	Standard	10	50



**RV195 - RV395**

White cap for 195 - 196 - 1195 - 1196 Series (models RV195) lockshields and TRV Series lockshields (model RV395).

Part Number	DN	Qty/ Box	Box/ Carton
RV195B	3/8" - 1/2"	10	200
RV19534B	3/4"	10	100



**AIR VENTS****228C - HYGROVENT**

Automatic air vent valve with check device and discharge nozzle. Chrome-plated CW614N brass body. PN 6.

Part Number	DN	Qty/ Box	Box/ Carton
2280C18X	1/8"	25	500
2281C14X	1/4"	25	500
2282C38X	3/8"	25	500

Dimensions at the end of the section.

**238C**

Manual air vent valve with discharge nozzle. Chrome-plated CW614N brass body. PN 10.

Part Number	DN	Qty/ Box	Box/ Carton
2381C18X	1/8"	25	500
2382C14X	1/4"	25	500

Dimensions at the end of the section.

**VMM**

Manual air vent valve for radiators with adjustable discharge nozzle. Manual discharge opening with a screwdriver or coin. Chrome-plated CW617N brass body. Fibreglass-reinforced nylon handwheel and discharge nozzle body. Sealed on radiator by means of an O-Ring. PN 10.

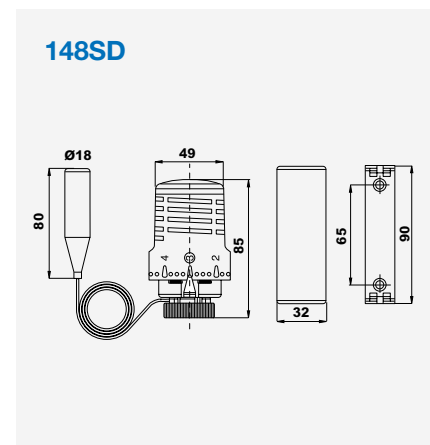
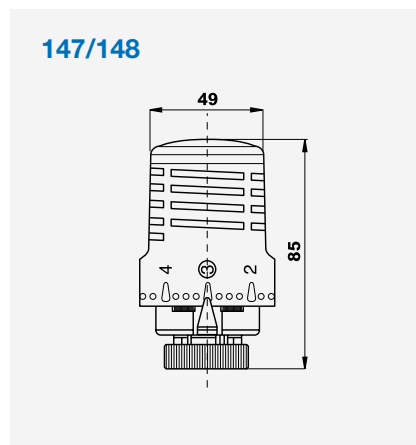
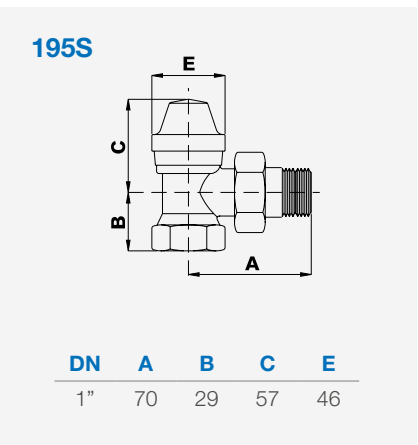
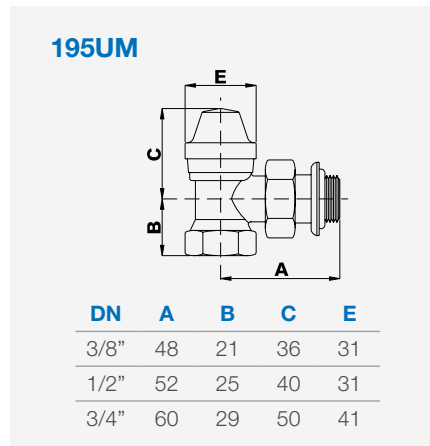
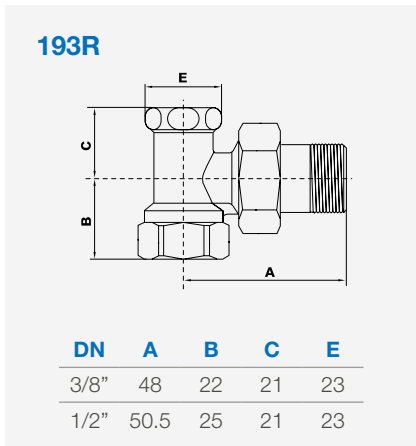
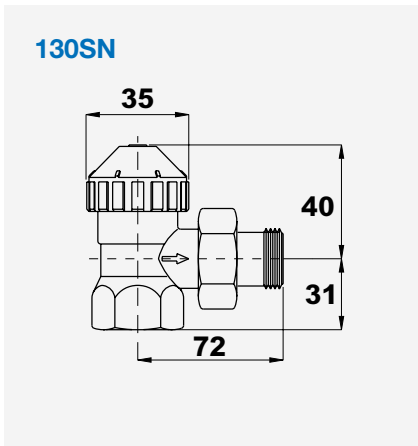
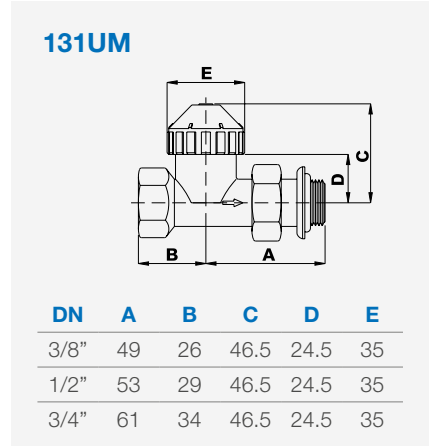
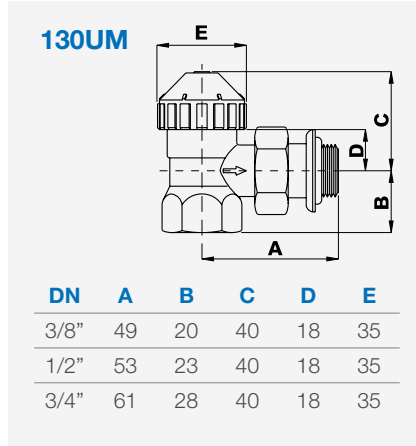
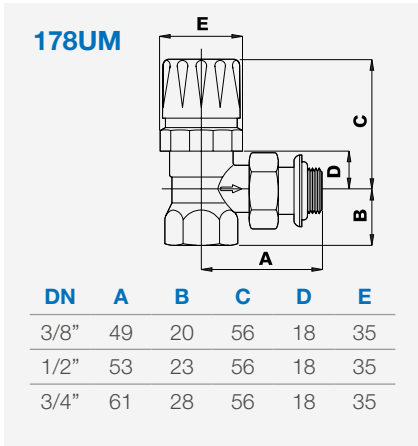
Part Number	DN	Qty/ Box	Box/ Carton
0256208	1/4"	100	1000
0256210	3/8"	100	500

Dimensions at the end of the section.





OVERALL DIMENSIONS



**OVERALL DIMENSIONS**

