

**LIGHT LEVEL TRANSMITTERS 0-10VDC**

**ELT..**

■ Senses light level and transmits a 0-10VDC signal linear across the selected range. Suitable for use with Building Management Systems.



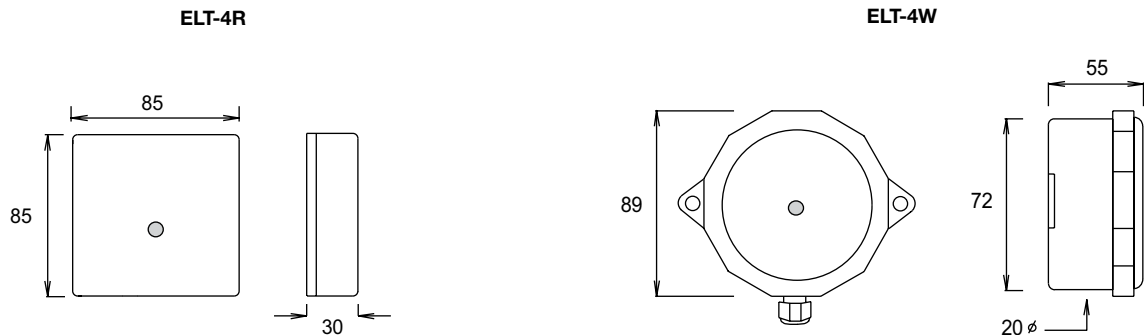
Room sensor can be mounted on round or square outlet box.  
 Consumption < 30mA  
 Load Resistance >10KΩ  
 Accuracy ± 3%  
 Enclosure Flammability:  
**ELT-4R** = UL94-HB  
**ELT-4W** = UL94-V0

Type	Selectable Range Lux	Supply ± 10%	Output Signal	Vision Angle	Mounting	Enclosure mA
<b>ELT-4R</b>	10/2000, 10/4000, 10/10000, 10/20000	24 VAC/DC	0-10VDC	120°	Room	IP30
<b>ELT-4W</b>	10/2000, 10/4000, 10/10000, 10/20000	24 VAC/DC	0-10VDC	120°	Outside	IP65

**Approx Lux levels :**

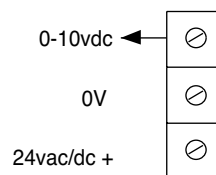
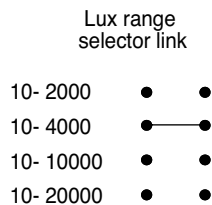
Average daylight	2000	Bright Sunlight	20000+
Minimum for Outdoor Areas	25	External walkways/Car Parks	50
Internal Warehouse Areas	150	Office/Retail Areas	500
Minimum task lighting	200	Precision Tasks ie assembly, machine operation	1500
Dusk	15 to 20		

**DIMENSIONS**



**WIRING:**

**ELT..**



**INSTALLATION:** Terminals 0.5 -2.5mm      Min sensor / control signal cable size 7/0.2mm      Max length 100m  
 Screened cable is recommended      The screen should be earthed at controller end only  
 Keep sensor/control signal wires away from power cables/units which may cause interference.