

BLÜCHER® Compact Drain

Fits everywhere. Reliable performance.



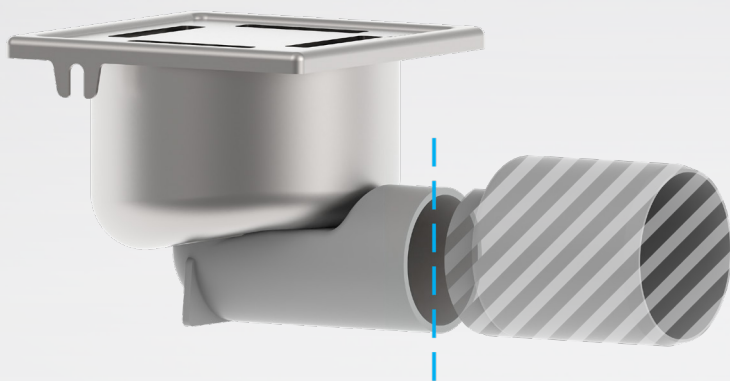
BLÜCHER® Compact drain is a robust and versatile drainage solution designed for a number of applications within the residential and commercial areas.

Grating and frame are manufactured in high-quality stainless steel, which combines durability with a polished finish and easy installation. The compact design features integrated side and bottom outlets, high drainage capacity, and low installation depth, making them ideal for modern construction.



BLÜCHER® COMPACT DRAIN

Fits everywhere. Reliable performance.

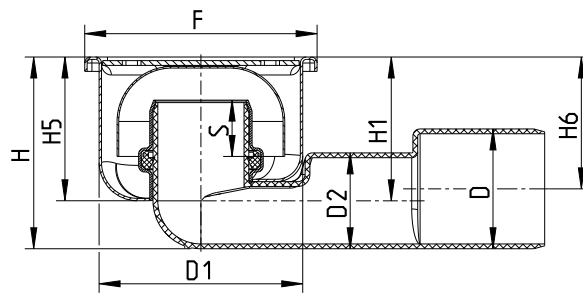


BLÜCHER® COMPACT DRAIN

COMPACT DRAIN 100X100 - Ø40/50mm

Material: Stainless steel & ABS
Stainless steel: AISI304 / EN1.4301
Floor: Concrete and tiled
Frame: 97x97mm
Outlet: Ø40/50mm Vertical / Horizontal

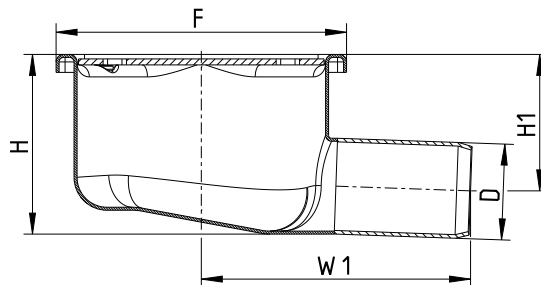
| Type nr. | EAN nr. | D | D1 | D2 | F | H | H1 | H5 | H6 | S | Screws | Weight |
|-------------|---------------|----|----|----|-------|-----|----|----|----|----|--------|---------|
| 184.100.040 | 5705499002034 | 50 | 85 | 40 | 97x97 | 80 | 55 | 60 | 60 | 25 | 0 | 0,41 kg |
| 184.101.040 | 5705499002041 | 50 | 85 | 40 | 97x97 | 80 | 55 | 60 | 60 | 25 | 2 | 0,42 kg |
| 184.102.040 | 5705499002058 | 50 | 85 | 40 | 97x97 | 100 | 75 | 80 | 80 | 50 | 0 | 0,50 kg |
| 184.103.040 | 5705499002065 | 50 | 85 | 40 | 97x97 | 100 | 75 | 80 | 80 | 50 | 2 | 0,51 kg |



COMPACT DRAIN 100X100 - Ø32mm

Material: Stainless steel & ABS
Stainless steel: AISI304 / EN1.4301
Floor: Concrete and tiled
Frame: 97x97mm
Outlet: Ø32mm Vertical / Horizontal

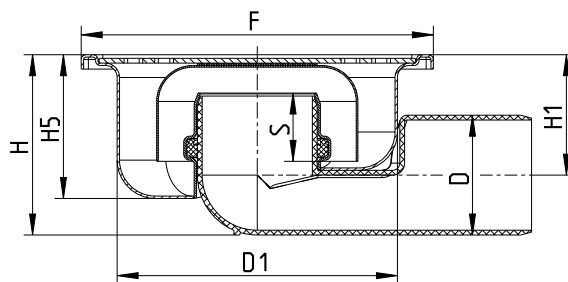
| Type nr. | EAN nr. | D | F | H | H1 | Screws | Weight |
|-------------|---------------|----|-------|----|----|--------|---------|
| 184.105.032 | 5705499002072 | 32 | 97x97 | 60 | 46 | 2 | 0,32 kg |



COMPACT DRAIN 150X150 - Ø50mm

Material: Stainless steel & ABS
Stainless steel: AISI304 / EN1.4301
Floor: Concrete and tiled
Frame: 147x147mm
Outlet: Ø50mm Vertical / Horizontal

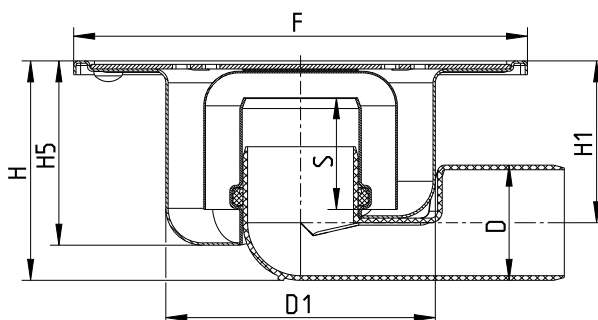
| Type nr. | EAN nr. | D | D1 | F | H | H1 | H5 | S | Screws | Weight |
|-------------|---------------|----|-----|---------|----|----|----|----|--------|---------|
| 184.150.050 | 5705499002089 | 50 | 117 | 147x147 | 75 | 50 | 60 | 30 | 0 | 0,71 kg |
| 184.151.050 | 5705499002096 | 50 | 117 | 147x147 | 75 | 50 | 60 | 30 | 2 | 0,72 kg |
| 184.152.050 | 5705499002102 | 50 | 117 | 147x147 | 95 | 70 | 80 | 50 | 0 | 0,82 kg |
| 184.153.050 | 5705499002119 | 50 | 117 | 147x147 | 95 | 70 | 80 | 50 | 2 | 0,83 kg |



COMPACT DRAIN 200X200 - Ø50mm

Material: Stainless steel & ABS
Stainless steel: AISI304 / EN1.4301
Floor: Concrete and tiled
Frame: 197x197mm
Outlet: Ø50mm Vertical / Horizontal

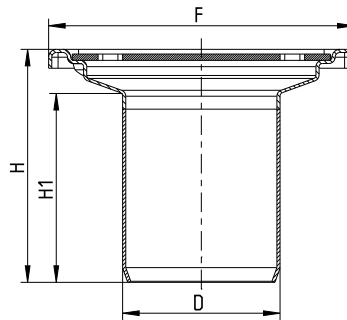
| Type nr. | EAN nr. | D | D1 | F | H | H1 | H5 | S | Screws | Weight |
|-------------|---------------|----|-----|---------|----|----|----|----|--------|---------|
| 184.201.050 | 5705499002126 | 50 | 117 | 197x197 | 75 | 50 | 60 | 30 | 2 | 1,11 kg |
| 184.203.050 | 5705499002133 | 50 | 117 | 197x197 | 95 | 70 | 80 | 50 | 2 | 1,22 kg |



COMPACT DRAIN 100X100 - Ø40/50/75mm

Material: Stainless steel & ABS
Stainless steel: AISI304 / EN1.4301
Floor: Concrete and tiled
Frame: 97x97mm
Outlet: Ø40/50/75mm Vertical

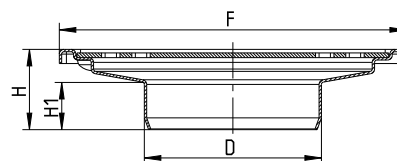
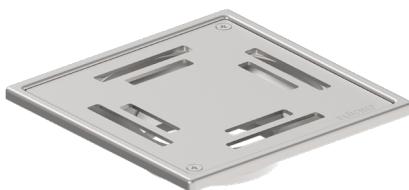
| Type nr. | EAN nr. | D | F | H | H1 | Weight |
|-------------|---------------|----|-------|----|----|---------|
| 185.101.040 | 5705499002140 | 40 | 97x97 | 69 | 55 | 0,24 kg |
| 185.101.050 | 5705499002164 | 50 | 97x97 | 74 | 60 | 0,25 kg |
| 185.101.075 | 5705499002157 | 75 | 97x97 | 26 | 20 | 0,19 kg |



COMPACT DRAIN 150X150 - Ø75/100mm

Material: Stainless steel
Stainless steel: AISI304 / EN1.4301
Floor: Concrete and tiled
Frame: 147x147mm
Outlet: Ø75/100mm Vertical

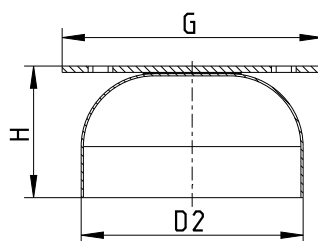
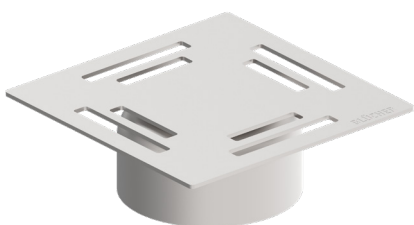
| Type nr. | EAN nr. | D | F | H | H1 | Weight |
|-------------|---------------|-----|---------|----|----|---------|
| 185.151.075 | 5705499002171 | 75 | 147x147 | 34 | 20 | 0,45 kg |
| 185.151.100 | 5705499002188 | 100 | 147x147 | 35 | 25 | 0,44 kg |



COMPACT DRAIN GRATING 82X82 / 132X132 mm

Material: Stainless steel
Stainless steel: AISI304 / EN1.4301
Frame: 82x82 / 132x132 mm

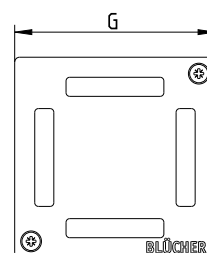
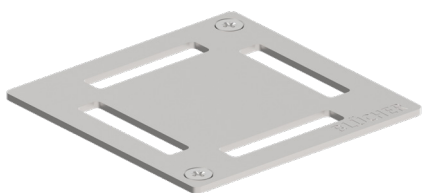
| Type nr. | EAN nr. | D2 | G | H | Screws | Weight |
|-------------|---------------|----|---------|----|--------|---------|
| 612.100.001 | 5705499002362 | 70 | 82x82 | 42 | 0 | 0,14 kg |
| 612.100.002 | 5705499002379 | 70 | 82x82 | 42 | 2 | 0,14 kg |
| 612.100.003 | 5705499002386 | 70 | 82x82 | 63 | 0 | 0,17 kg |
| 612.100.004 | 5705499002393 | 70 | 82x82 | 63 | 2 | 0,17 kg |
| 612.150.001 | 5705499002416 | 84 | 132x132 | 45 | 0 | 0,31 kg |
| 612.150.002 | 5705499002423 | 84 | 132x132 | 45 | 2 | 0,31 kg |
| 612.150.003 | 5705499002430 | 84 | 132x132 | 63 | 0 | 0,34 kg |



COMPACT DRAIN GRATING 82X82 mm

Material: Stainless steel
Stainless steel: AISI304 / EN1.4301
Frame: 82x82 mm

| Type nr. | EAN nr. | G | T | Weight |
|-------------|---------------|-------|---|---------|
| 612.100.006 | 5705499002409 | 82x82 | 2 | 0,09 kg |



BLÜCHER® Drain

BLÜCHER® Domestic

BLÜCHER® Industrial



25089-ENG © BLÜCHER 2026 DRA1009

BLÜCHER®

A WATTS Brand

+45 99 92 08 00 · BLUCHER.com